



Features

- Machined aluminum body provides close tolerances for exceptional accuracy, repeatability and responsiveness
- Diaphragm style regulator for minimal hysteresis and greater responsiveness
- Constant bleed fitting available for even greater accuracy
- Relieving and non-relieving versions available
- Gauge port plugs included
- Available with T-handle, knob or lock and key mechanism
- Available with 1/2" and 3/4" ports

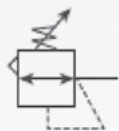
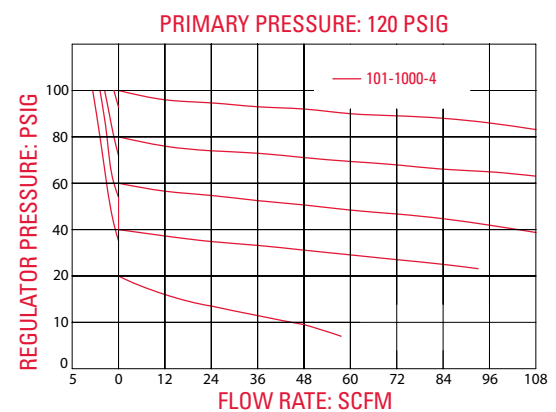
Materials of Construction

- Body:** Machined Aluminum
- Diaphragm Assembly:** Buna-N (fluorocarbon available) and Brass
- Compression Spring:** Spring Steel
- Bonnet:** Aluminum
- Poppet Seat:** Brass
- Poppet Valve:** Brass
- Adjustment Screw:** Plated Steel
- T-Handle:** Zinc Plated Steel
- Knob:** Plastic
- Spring Guide:** Zinc Plated Steel

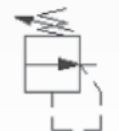
Operating Specifications

- Gauge Ports:** 1/4" NPT (Standard)
- Maximum Inlet Pressure:** 250 PSIG
- Temperature Rating:** Aluminum Bonnet: 0-175°F
- Weight:** 522g

Flow Characteristics



Relieving

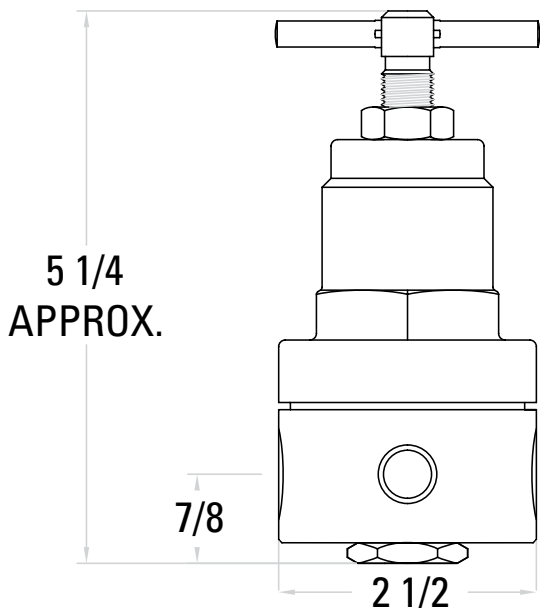


Non-Relieving

Accessories & Kits

- Panel Nuts:** 11124 (102 & 103)
- Repair Kit:**
 - (Relieving) 11544
 - (Non-Relieving) 11565
 - (Relieving-1006) 11545
 - (Non-Relieving-1007) 11546
- Constant Blend Fitting:** 13557

Dimensions



Ordering Information

101-1000-4

Bonnet	
Unthreaded Bonnet	1
Threaded bonnet w/ Nuts	2
Threaded Bonnet w/ Bracket and Nuts	3

Pressure	
10-130 Relieving	00
10-130 Non-Relieving	01
5-60 Relieving	02
5-60 Non-Relieving	03
3-30 Relieving	04
3-30 Non-Relieving	05
20-250 Relieving	06
20-250 Non-Relieving	07
1-10 Relieving	08
1-10 Non-Relieving	09

Pipe Size	
1/2"	4
3/4"	6

OPTIONS

Anodizing	
No Anodizing (Standard)	Blank
Blue	A1
Black	A2
Clear	A3
Green	A4
Red	A5
Yellow	A6
Gold	A7
Purple	A8
Seals	
Buna-N	Blank
Fluorocarbon	V
Attachment Parts	
Gauge	G
Knob	K
Tamperproof	
Tamper-Proof (Lock & Key)	T
Preset	P
Preset & Tamper-Proof (Lock & Key)	PT