



Features

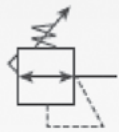
- Provides regulated pressure when flowing inlet to outlet
- Built-in check valve allows unrestricted reverse flow
- Allows regulator to be placed between valve and actuator to regulate cylinder ports independently
- Same accuracy, repeatability and responsiveness as standard 101-3000 regulators

Operating Specifications

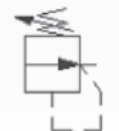
Gauge Ports: 1/8" NPT
Maximum Inlet Pressure: 250 PSIG
Temperature Range: 0-175°F
Weight: 87 g

Accessories & Kits

Panel Nuts: 13133 (101-3000 Series);
 13025 (111/102-3000Series)
Bracket Kits: 13536 (101-3000 Series);
 13534 (111/102-3000 Series)
Service Kits: 13532 (Relieving);
 13533 (Non-Relieving)
Constant Bleed Fitting: 13520



Relieving

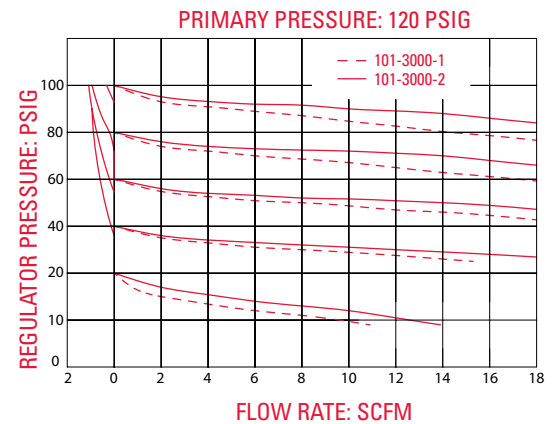


Non-Relieving

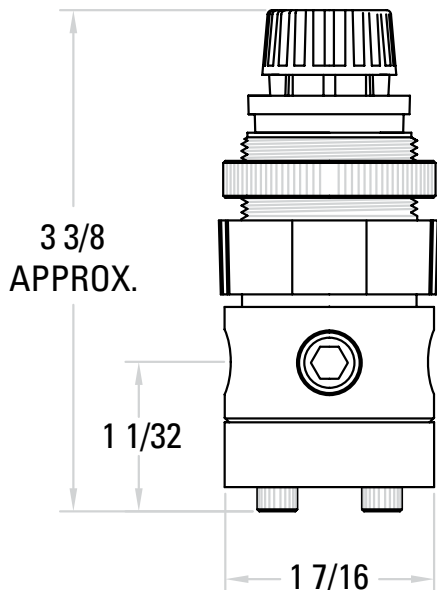
Materials of Construction

Body: Aluminum
Bonnet: Polycarbonate or Aluminum
Adjustment Screw:
 101-3000: Black Oxide Coated Steel
 111/102-3000: Zinc Plated Steel (102 Series)
Poppet Seat: Nylon
Diaphragm Assembly: Zinc Plated Steel, Brass, Buna-N (fluorocarbon available)
Seals: Buna-N (fluorocarbon available)
Poppet Spring: Stainless Steel
Compression Spring: Music Wire, Spring Steel
 Poppet Spring: Stainless Steel
Bracket: Zinc Plated Steel
Panel Nut: Machined Aluminum
Check Valve Ball: Buna-N (fluorocarbon available)
Check Valve Spring: Stainless Steel
Check Valve Cover: Aluminum

Flow Characteristics



Dimensions



Ordering Information

101C-3000-2

Bonnet	
Polycarbonate	01
Aluminum w/ Adjusting Screw	11
Aluminum w/ Knob	02

Gauge Ports	
Yes	0
No	1

Pressure	
10-130 Relieving	00
10-130 Non-Relieving	01
5-60 Relieving	02
5-60 Non-Relieving	03
3-30 Relieving	04
3-30 Non-Relieving	05
20-250 Relieving	06
20-250 Non-Relieving	07
1-10 Relieving	08
1-10 Non-Relieving	09

Pipe Size	
1/8"	1
1/4"	2

OPTIONS

Anodizing	
No Anodizing (Standard)	Blank
Blue	A1
Black	A2
Clear	A3
Green	A4
Red	A5
Yellow	A6
Gold	A7
Purple	A8

Seals	
Buna-N	Blank
Fluorocarbon	V

Attachment Parts	
Bracket Kit	B
Gauge	G

Tamperproof	
Tamper-Proof (Plastic Tie w/ Poly Bonnet)	T
Tamper-Proof (Set screw w/ Alum Bonnet)	TS
Preset	P
Preset & Tamper-Proof (Plastic Tie)	PT
Preset & Tamper-Proof (Set Screw)	PTS