



## Features

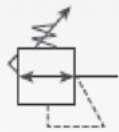
- Convenient push to lock knob design
- Acetal bonnet and knob
- Mounting nut comes standard
- Diaphragm design for minimal hysteresis and greater responsiveness
- Black anodizing standard (other colors available)
- Machined aluminum body
- Can be ordered with gauge

## Operating Specifications

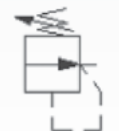
**Gauge Ports:** 1/4" NPT (Standard)  
**Maximum Inlet Pressure:** 250 PSIG  
**Temperature Rating:** Aluminum Bonnet: 0-175°F  
**Weight:** 522g

## Materials of Construction

**Body:** Machined Aluminum  
**Bonnet:** Glass Filled Acetal  
**Knob, Adjuster & Mounting Nut:** Acetal  
**Diaphragm Gasket:** Acetal  
**Spring Guide:** Machined Aluminum  
**Seat:** Brass  
**Poppet Assembly:** Brass  
**Seals:** Buna-N (fluorocarbon available)  
**Compression Spring:** Zinc Plated Steel  
**Poppet Spring:** Stainless Steel



Relieving



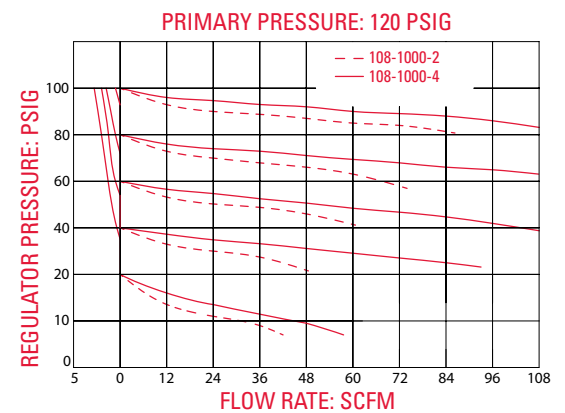
Non-Relieving

## Accessories & Kits

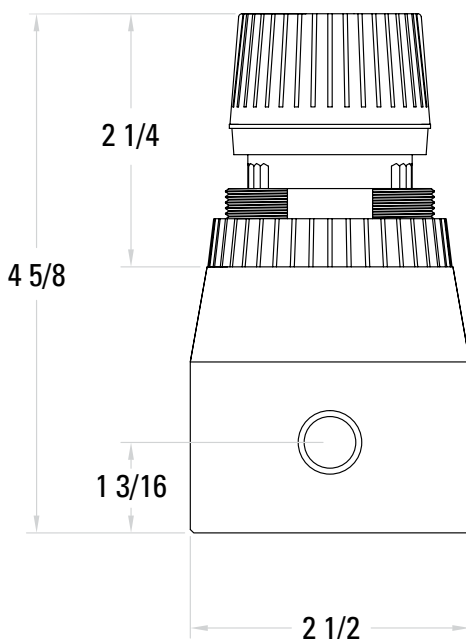
**Mounting Bracket:** 11430

REGULATOR KITS	0-50 PSI	0-150 PSI
<b>Relieving (1/4 &amp; 3/8):</b>	11472	11470
<b>Non-Relieving (1/4 &amp; 3/8):</b>	11473	11471
REGULATOR KITS	0-50 PSI	0-150 PSI
<b>Relieving (1/2):</b>	11482	11480
<b>Non-Relieving (1/2):</b>	11483	11481

## Flow Characteristics



## Dimensions



## Ordering Information

# 108-1000-4

Pressure Range	
0-150 Relieving	0
0-150 Non-Relieving	1
0-50 Relieving	2
0-50 Non-Relieving	3

Pipe Size	
1/4"	-2
3/8"	-3
1/2"	-4

### OPTIONS

Anodizing	
No Anodizing (Standard)	Blank
Blue	A1
Clear	A3
Green	A4
Red	A5
Yellow	A6
Gold	A7
Purple	A8
Preset	P

Attachment Parts	
Gauge	G
Bracket	B

Seals	
Buna-N (Standard)	Blank
Fluorocarbon	V