



## Features

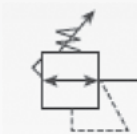
- Machined aluminum body provides close tolerances for exceptional accuracy, repeatability and responsiveness
- Available with polycarbonate bonnet with locking ring or aluminum bonnet and locking nut
- Diaphragm style regulator for minimal hysteresis and greater accuracy and responsiveness
- Constant bleed fitting available for even greater accuracy
- Relieving and non-relieving versions available
- Gauge port plugs included
- Preset and tamperproof options available
- Also available with brass body for water service (non-relieving recommended)

## Operating Specifications

**Gauge Ports:** 1/8" NPT  
**Maximum Inlet Pressure:** 250 PSIG  
**Temperature Range:** 0-175°F  
**Weight:** 87 g

## Accessories & Kits

**Panel Nuts:** 13133 (101-3000 Series);  
 13025 (111/102-3000 Series)  
**Bracket Kits:** 13536 (101-3000 Series);  
 13534 (111/102-3000 Series)  
**Service Kits:** 13532 (Relieving);  
 13533 (Non-Relieving)  
**Constant Bleed Fitting:** 13520



Relieving

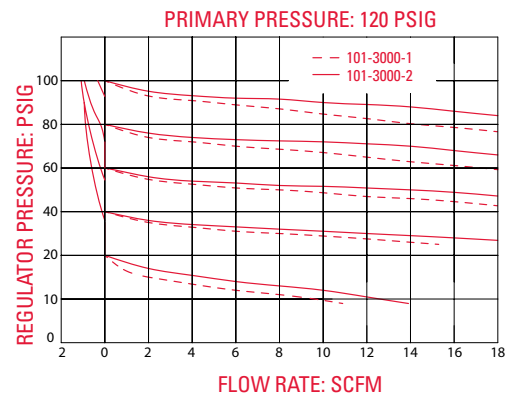


Non-Relieving

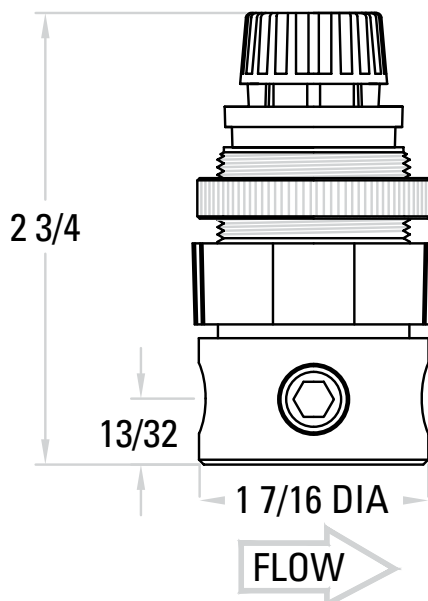
## Materials of Construction

**Body:** Machined Aluminum or Brass  
**Bonnet:** 101-3000: Polycarbonate  
 111/102-3000: Aluminum  
**Adjustment Screw:**  
 101-3000: Black Oxide Coated Steel  
 111/102-3000: Zinc Plated Steel (102 series)  
**Poppet Seat:** Nylon  
**Diaphragm Assembly:** Zinc Plated Steel, Brass, Buna-N (fluorocarbon available)  
**Seals:** Buna-N (fluorocarbon available)  
**Poppet Spring:** Stainless Steel  
**Compression Spring:** Music Wire, Spring Steel  
**Bracket:** Zinc Plated Steel  
**Panel Nut:** Machined Aluminum

## Flow Characteristics



## Dimensions



## Ordering Information

# 101 -3000-2

Bonnet	
Polycarbonate	01
Aluminum w/ Adjusting Screw	11
Aluminum w/ Knob	02

Body	
Aluminum (standard)	Blank
Brass	B

Gauge Ports	
Yes	0
No	1

Pressure	
10-130 Relieving	00
10-130 Non-Relieving	01
5-60 Relieving	02
5-60 Non-Relieving	03
3-30 Relieving	04
3-30 Non-Relieving	05
20-250 Relieving (Aluminum Bonnet Only)	06
20-250 Non-Relieving (Aluminum Bonnet Only)	07
1-10 Relieving	08
1-10 Non-Relieving	09

Pipe Size	
1/8"	1
1/4"	2

### OPTIONS

Anodizing	
No Anodizing (Standard)	Blank
Blue	A1
Black	A2
Clear	A3
Green	A4
Red	A5
Yellow	A6
Gold	A7
Purple	A8

Seals	
Buna-N	Blank
Fluorocarbon	V

Attachment Parts	
Bracket Kit	B
Gauge	G

Tamperproof	
Tamper-Proof (Plastic Tie w/ Poly Bonnet)	T
Tamper-Proof (Set screw w/ Alum Bonnet)	TS
Preset	P
Preset & Tamper-Proof (Plastic Tie)	PT
Preset & Tamper-Proof (Set Screw)	PTS