



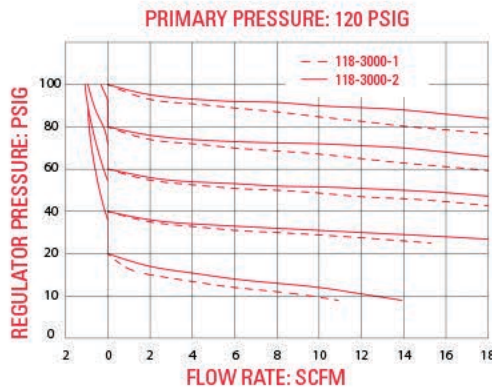
Features

- Piston over diaphragm actuation for fast response and compact design
- Large flows with negligible pressure drop
- Two 1/4" NPT gauge ports
- 1/4" NPT pilot port

Operating Specifications

Maximum Pressure: 250 PSI
Temperature: 0-175°F
Pilot Port: 1/8" NPT (3000 Series)
 1/4" NPT (1000 Series)
Gauge Port: 1/8" NPT (3000 Series)
 1/4" NPT (1000 Series)

Flow Characteristics

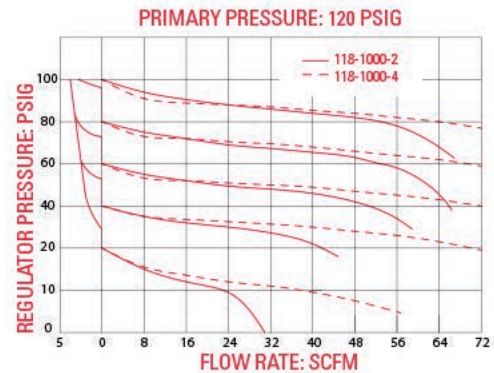


Materials of Construction

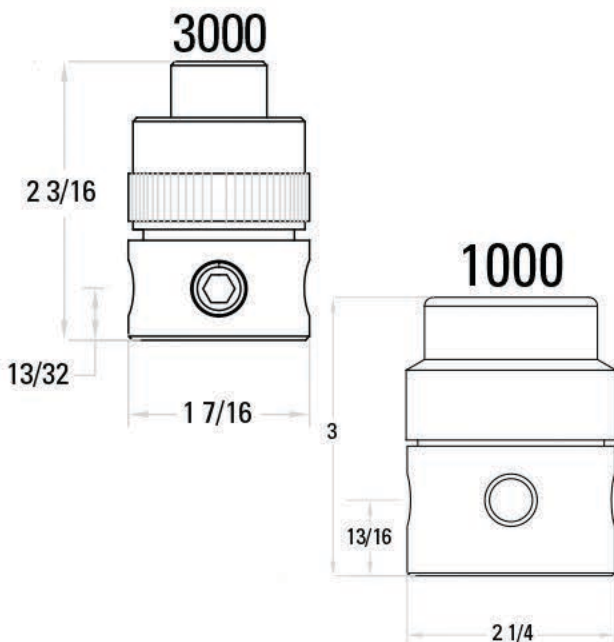
Body: Machined Aluminum
Piston: Machined Aluminum
Air Cap: Machined Aluminum
Poppet: 3000 Series: Buna-N (fluorocarbon available)
 1000 Series: Brass
Poppet Seat: 3000 Series: Nylon; 1000 Series: Brass
Poppet Seal: Buna-N (fluorocarbon available)
Diaphragm: Buna-N (fluorocarbon available)

Accessories & Kits

3000 Series Repair Kit:
 13513 (Relieving); 13515 (Non-Relieving)
1000 Series Repair Kit:
 11536 (Relieving); 11535 (Non-Relieving)
Mounting Nut (3000 Series only): 13025



Dimensions



Ordering Information

118-1000-4

Body Size	
Standard (1/4", 3/8", 1/2")	1
Miniature (1/8", 1/4")	3

Gauge Ports	
Yes	0
No (3000 Only)	1

Pipe Size	
1/8" (3000 Series Only)	1
1/4"	2
3/8"	3
1/2"	4

OPTIONS

Anodizing	
No Anodizing (Standard)	Blank
Blue	A1
Black	A2
Clear	A3
Green	A4
Red	A5
Yellow	A6
Gold	A7
Purple	A8
Seals	
Buna-N	Blank
Fluorocarbon	V
Attachment Parts	
Gauge	G