



Features

- Machined Aluminum body provides close tolerances for exceptional accuracy, repeatability and responsiveness
- Diaphragm style regulator for minimal hysteresis and greater responsiveness
- Constant bleed fitting available for even greater accuracy
- Relieving and non-relieving versions available
- Gauge port plugs included
- Bracket and panel mounting available
- Available with T-handle, knob or lock and key mechanism
- Preset and tamperproof options available

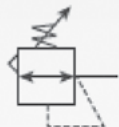
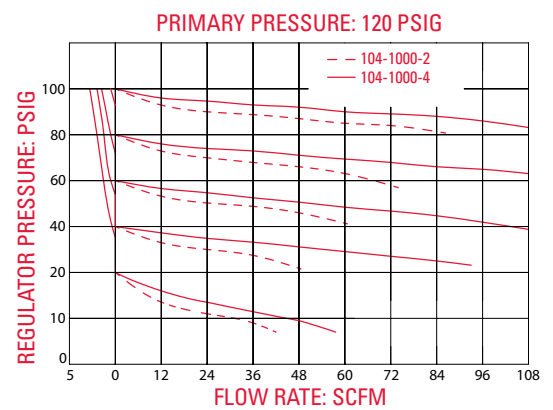
Materials of Construction

- Body:** Machined Aluminum
- Bonnet:** Aluminum
- Adjustment Screw:** Zinc Plated Steel
- Poppet Valve:** Brass
- Poppet Spring:** Stainless Steel
- Poppet Seat:** Brass
- Diaphragm Assembly:** Buna-N (Fluorocarbon available) and Brass
- Seals:** Buna-N (fluorocarbon available)
- Compression Spring:** Zinc Plated Steel
- Spring Guide:** Zinc Plated Steel

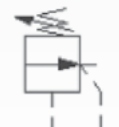
Operating Specifications

- Gauge Ports:** two 1/4" NPT (Standard)
- Maximum Inlet Pressure:** 250 PSIG
- Temperature Rating:** Aluminum Bonnet: 0-175°F
- Weight:** 430 g

Flow Characteristics



Relieving

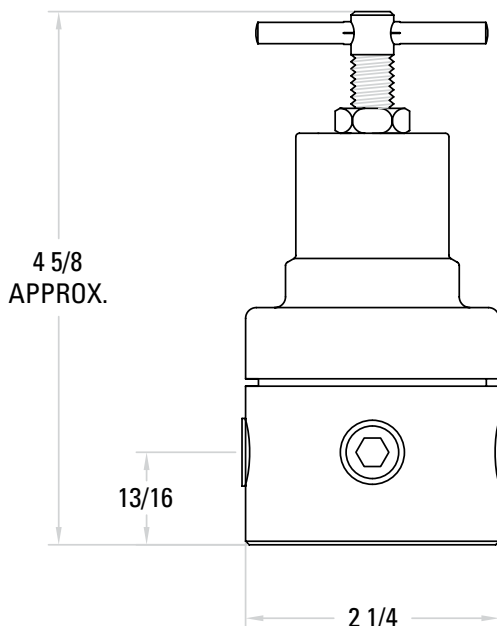


Non-Relieving

Accessories & Kits

- Panel Nuts:** 11124 (105 & 106)
- Repair Kit:** (Relieving) 11513; (Relieving -1006) 11959; (Non-Relieving) 11515; (Non-Relieving-1007) 11958
- Bracket:** 11122 (105 & 106); 11543 (104)
- Constant Bleed Fitting:** (1/4") 13557

Dimensions



Ordering Information

104-1000-2

Thread Options	
Unthreaded Bonnet	4
Threaded bonnet w/ Nuts	5
Threaded Bonnet w/ Bracket and Nuts	6
Gauge Ports	
Yes	0
No	1
Pressure	
10-130 Relieving	00
10-130 Non-Relieving	01
5-60 Relieving	02
5-60 Non-Relieving	03
3-30 Relieving	04
3-30 Non-Relieving	05
20-250 Relieving	06
20-250 Non-Relieving	07

Pipe Size	
1/4"	2
3/8"	3
1/2"	4

OPTIONS

Anodizing	
No Anodizing (Standard)	Blank
Blue	A1
Black	A2
Clear	A3
Green	A4
Red	A5
Yellow	A6
Gold	A7
Purple	A8
Seals	
Buna-N	Blank
Fluorocarbon	V
Attachment Parts	
Gauge	G
Knob	K
Tamperproof	
Tamper-Proof (Lock & Key)	T
Preset	P
Preset & Tamper-Proof (Lock & Key)	PT