



# Air Line Modulares



**Each component is engineered to connect easily** without the use of inserts and special tools. Standard buttonhead screws are used to join components, combined with the new modular design ensures that Monnaie Modulares™ offer optimum stability and strength.

Components are available as preassembled **modular FRL assemblies** or in an unlimited combination of filters, regulators, lubricators and accessories. Each component is available with 3 bowl options – polycarbonate with guard (standard), metal bowl or with the CircleView bowl, allowing fluid to be viewed 360 degrees around the bowl. Each bowl is available with automatic, flexible or manual drain options.

A **manual shut off** with slide design is available. The off position relieves downstream pressure to all components allowing for service or repair.

# TABLE OF CONTENTS

<b>Modular Particulate Filters</b>	<b>3</b>	<b>Modular Coalescing</b>	
<b>Modular Coalescing Filters</b>	<b>4, 5</b>	<b>Filter/Regulators</b>	<b>10, 11</b>
<b>Modular Regulators</b>	<b>6, 7</b>	<b>Modular Combinations</b>	<b>12, 13</b>
<b>Modular Lubricators</b>	<b>8</b>	<b>Modular Accessories</b>	<b>14, 15</b>
<b>Modular Filter/Regulators</b>	<b>9</b>		

## Features

- O-ring on bowl
- Integral mounting holes
- Bayonet bowl guards
- Diverter block
- Simple manifold connections

## Benefits

- Mounts without brackets
- Quick on/off bowls
- Regulator mounts any direction
- Build any configuration

## Advantages

- More stable mounting
- Faster turns in maintenance
- Flexible assembly
- Eliminates frustration

### Maximum Pressure

Pressure in polycarbonate bowls:	150 psi
Pressure in metal bowls:	200 psi
Pressure in circle view bowls:	250 psi

### Maximum Temperature

Temperature in polycarbonate bowls:	120°F
Temperature in metal bowls:	120°F
Temperature in circle view bowls:	150°F

## Drains

Add Suffix "D" for impulse drain or Suffix "F" for float drain.

## Caution

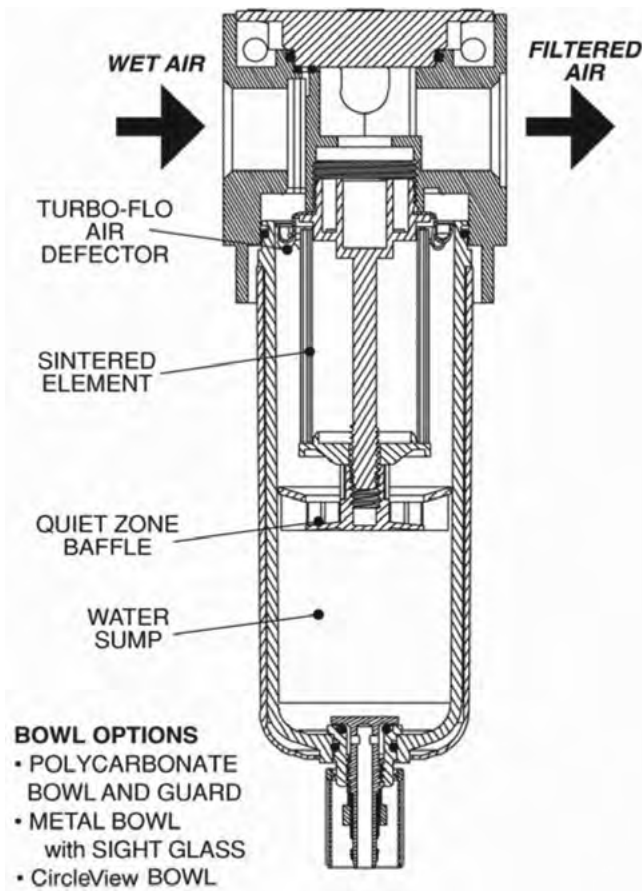
Bowl guards are recommended on all polycarbonate bowl filters! All bowl guards are made of heavy-duty stainless steel.

## Warning

Polycarbonate bowls can be damaged and may fail if they are exposed to or come in contact with solvents, strong alkalis, fire resistant and/or synthetic compressor lubricants.

**WARRANTY:** Monnier, Inc. warrants each product against defects in material and workmanship for a period of one year from the date of manufacture providing its use was in accordance with Monnier, Inc. recommendations. If the product fails to perform as warranted, Monnier, Inc. will, at its option, repair or replace the product free of charge. The company will not be liable for incidental or consequential damages. We make no other warranty, expressed or implied, including warranties of merchantability or fitness for a particular purpose.

# AIR LINE MODULARS: MODULAR PARTICULATE FILTERS



## Application

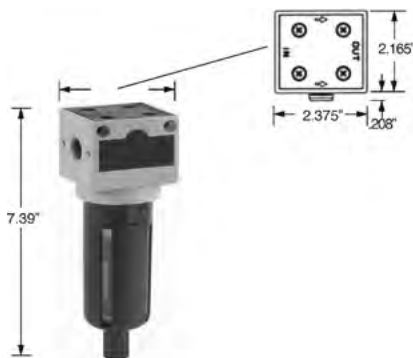
Primary air filters are designed to separate liquid water and rust, scale and debris from the air lines. They should be installed upstream of the regulator or lubricator to prevent contamination from reaching other components. Water is removed mechanically by the deflector which causes the air to move in a swirling motion. The condensed water droplets are then centrifugally impacted upon the I.D. of the bowl and migrate down past the quiet zone baffle to the water sump. Dry air passes through the sintered element utilizing depth filtration and removes debris down to the specified micron size.

## Features

- Two convenient sizes
- 5 micron sintered elements standard
- Can be installed as modular or individual unit
- Includes screws and o-rings for modular connection
- Manual or automatic drains
- Polycarbonate bowl standard
- Optional CircleView sight bowl
- Bowl seal held captive

## 22 SERIES FILTERS

3.8-OUNCE CAPACITY  
PIPE SIZE: 1/4, 3/8, 1/2"



PIPE SIZE	BOWL TYPE & MODEL NUMBER			FLOW CAPACITY	SCFM
	POLYCARBONATE W/BOWL GUARD	METAL	CIRCLE VIEW		
1/4"	222-2100-2	222-2300-2	222-2000-2	C <sub>v</sub> = 1.9	45
3/8"	222-2100-3	222-2300-3	222-2000-3	C <sub>v</sub> = 2.6	60
1/2"	222-2100-4	222-2300-4	222-2000-4	C <sub>v</sub> = 3.0	70

## 32 SERIES FILTERS

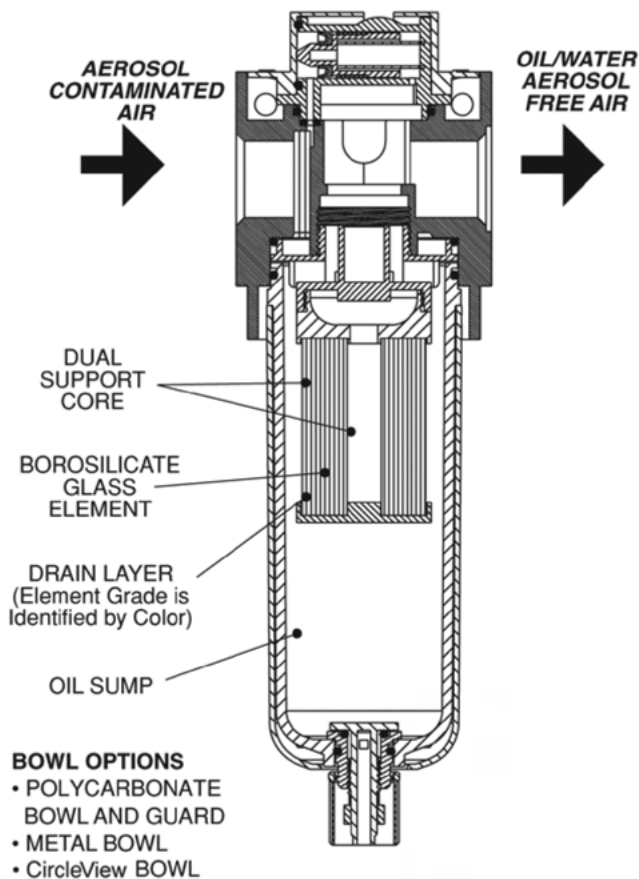
8.5-OUNCE CAPACITY  
PIPE SIZE: 1/2, 3/4"



PIPE SIZE	BOWL TYPE & MODEL NUMBER			FLOW CAPACITY	SCFM
	POLYCARBONATE W/BOWL GUARD	METAL	CIRCLE VIEW		
1/2"	232-1100-4	232-1300-4	232-1000-4	C <sub>v</sub> = 4.5	105
3/4"	232-1100-6	232-1300-6	232-1000-6	C <sub>v</sub> = 4.7	110

**Note:** Flow ratings based on 100 PSIG Inlet and 5 PSID.

# AIR LINE MODULARS: MODULAR COALESCING FILTERS



## Application

The coalescing filter is utilized when the cleanest air possible is required. This type of filter removes water and oil aerosols. Working differently than the particulate filter; oily air enters the element from its center and passes through a field of glass fibers which cause the aerosols to form into heavier-than-air droplets. The droplets grow larger as they pass through the element and gravity drains the oil drops to the sump of the bowl. With the harmful oil varnishes and contaminants that attack seals and gaskets now removed, the valve and cylinder is much less likely to stick. To maximize the life of a coalescing filter it should always be used after a 5 micron filter.

## Features

- Two convenient sizes
- Cartridge element design
- Inner/outer support cores prevent element from crushing in either flow direction
- Available with manual or automatic drain
- Optional CircleView sight bowl
- Differential pressure indicator standard

## Recommended Uses

**0.7 Micron Element**, identified by its BLUE drain layer, is a relatively coarse coalescing filter for large amounts of water, rust, pipe scale and hydrocarbons. Excellent filter for environments that have severe contamination. Can be used for lubricated or "dry" systems. Mainline filtration of plant air.

**0.3 Micron Element**, identified by its GREEN drain layer, is a fine filter for cylinders or valves especially when the circuit is being run without lubrication ("dry"). Excellent filters for desiccant or regenerative style filters.

**0.01 Micron Element**, identified by its RED drain layer, is an ultrafine filter for oil free instrumentation air, blow molding, food and drug packaging, electronics applications, and other applications requiring maximum contamination removal.

**Adsorber Element**, identified by its WHITE drain layer, is an adsorbing filter that utilizes activated carbon to deodorize compressed air. Typically, it is used to protect worker environments, food and drug applications and instrumentation for analytical instruments. Life expectancy is approximately 3 months at rated flow.

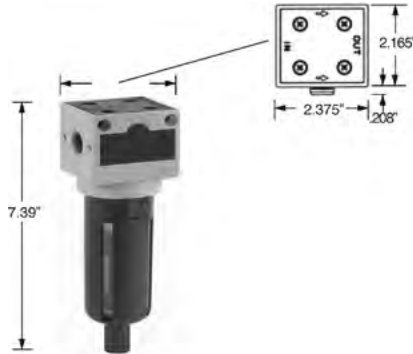
## Prefilter Option - Suffix "E"

All models can be equipped with an optional internal prefilter. The prefilter provides additional protection for the fine borosilicate fibers. For most applications, a separate 5 micron particulate filter is not required.

# AIR LINE MODULARS: MODULAR COALESCING FILTERS

## 22 SERIES COALESCING FILTERS

3.8-OUNCE CAPACITY  
PIPE SIZE: 1/4, 3/8, 1/2"



ELEMENT RATING:						
PIPE SIZE	BOWL TYPE & MODEL NUMBER			FLOW CAPACITY	SCFM	
<b>0.7 MICRON</b>						
	POLYCARBONATE W/BOWL GUARD	METAL	CIRCLE VIEW			
1/4"	222-2107-2	222-2307-2	222-2007-2	C <sub>v</sub> = 2.0	25	
3/8"	222-2107-3	222-2307-3	222-2007-3			
1/2"	222-2107-4	222-2307-4	222-2007-4			
<b>0.3 MICRON</b>						
	POLYCARBONATE W/BOWL GUARD	METAL	CIRCLE VIEW			
1/4"	222-2103-2	222-2303-2	222-2003-2	C <sub>v</sub> = 1.2	15	
3/8"	222-2103-3	222-2303-3	222-2003-3			
1/2"	222-2103-4	222-2303-4	222-2003-4			
<b>0.01 MICRON</b>						
	POLYCARBONATE W/BOWL GUARD	METAL	CIRCLE VIEW			
1/4"	222-2101-2	222-2301-2	222-2001-2	C <sub>v</sub> = 0.7	9	
3/8"	222-2101-3	222-2301-3	222-2001-3			
1/2"	222-2101-4	222-2301-4	222-2001-4			
<b>VAPOR ADSORBER</b>						
	POLYCARBONATE W/BOWL GUARD	METAL	CIRCLE VIEW			
1/4"	222-210A-2	222-230A-2	222-200A-2	C <sub>v</sub> = —	—	
3/8"	222-210A-3	222-230A-3	222-200A-3			
1/2"	222-210A-4	222-230A-4	222-200A-4			

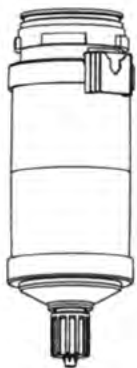
## 32 SERIES COALESCING FILTERS

8.5-OUNCE CAPACITY  
PIPE SIZE: 1/2, 3/4"



ELEMENT RATING:						
PIPE SIZE	BOWL TYPE & MODEL NUMBER			FLOW CAPACITY	SCFM	
<b>0.7 MICRON</b>						
	POLYCARBONATE W/BOWL GUARD	METAL	CIRCLE VIEW			
1/2"	232-1107-4	232-1307-4	232-1007-4	C <sub>v</sub> = 5.3	70	
3/4"	232-1107-6	232-1307-6	232-1007-6			
<b>0.3 MICRON</b>						
	POLYCARBONATE W/BOWL GUARD	METAL	CIRCLE VIEW			
1/2"	232-1103-4	232-1303-4	232-1003-4	C <sub>v</sub> = 3.7	48	
3/4"	232-1103-6	232-1303-6	232-1003-6			
<b>0.01 MICRON</b>						
	POLYCARBONATE W/BOWL GUARD	METAL	CIRCLE VIEW			
1/2"	232-1101-4	232-1301-4	232-1001-4	C <sub>v</sub> = 2.0	25	
3/4"	232-1101-6	232-1301-6	232-1001-6			
<b>VAPOR ADSORBER</b>						
	POLYCARBONATE W/BOWL GUARD	METAL	CIRCLE VIEW			
1/2"	232-110A-4	232-130A-4	232-100A-4	C <sub>v</sub> = —	45	
3/4"	232-110A-6	232-130A-6	232-100A-6			

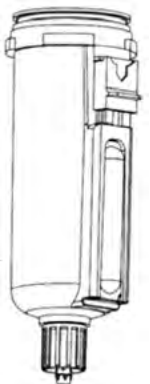
- Flow Ratings based upon 100 PSIG inlet and 1.5 PSID
- .3 Micron element standard



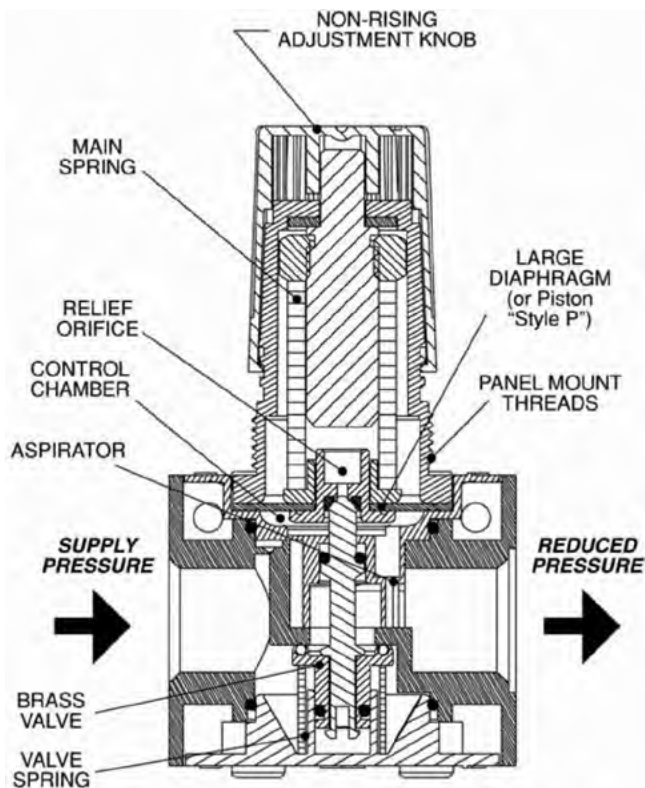
### ◀ CircleView Sight Bowl

The Monnaie Modular™ CircleView Sight Bowl utilizes a dual bowl configuration to eliminate the bowl guard or sight glass. This allows the strength and security of an interior metal bowl to be used with the exterior convenience of polycarbonate. Water condensation and contaminants in filter bowls and the oil level in the lubricator bowls can be seen for 360 degrees around the unit. This lowers maintenance cost by allowing easy detection of units that require service.

### Metal Bowl with Sight Glass ▶



# AIR LINE MODULARS: MODULAR REGULATORS



**MAXIMUM PRIMARY PRESSURE:**  
200 psi  
**MAXIMUM OPERATING TEMPERATURE:**  
120°F

- To order with a gauge, add Suffix "G"
- To order with panel nut, add Suffix "P"
- To order with check valve, add "C" after the 3rd digit
- To order with piston, add "P" after the 3rd digit
- To order with tamperproof option, add suffix "T"

## Application

Regulators are used to reduce pressure to a required working pressure. Utilizing optimum pressure can save companies both component life and many dollars in compressed air costs. Regulators consist of a diaphragm, which floats between a main spring (top) and a valve (bottom). By turning the adjustment handle clockwise, the main spring is forced onto the rubber diaphragm which, in turn, is pressed onto the valve stem. When the spring pressure becomes greater than the air pressure in the control chamber below the diaphragm, the valve is forced down and flow begins. As flow continues, the pressure begins to build up and air, via the aspirator tube, fills the control chamber and forces the diaphragm upward. As forces balance, the small spring under the valve piston causes the valve to close. The cycle continues in a balanced process of reducing or increasing flow based upon the down stream pressure.

## Features

- Two convenient sizes
- High flow in compact size
- Locking adjustment knob
- Four different pressure ratings available
- Can be installed as modular or individual unit
- Standard output pressure 0-125 PSIG

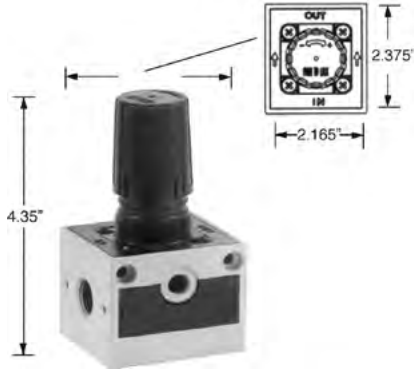
## Internal Check Valve

The 22 and 32 Series are offered with an optional internal check valve. This allows the regulator to function between a valve and cylinder and not be damaged by the constant change in direction of flow. Excellent for applications where multiple pressures are required from one supply valve.

# AIR LINE MODULARS: MODULAR REGULATORS

## 22 SERIES REGULATOR

PIPE SIZE: 1/4, 3/8, 1/2"



PIPE SIZE	MODEL NUMBER		GAUGE PRESSURE RANGE (PSIG)
	RELIEVING	NON-RELIEVING	
1/4"	122-2000-2	122-2001-2	0-125
3/8"	122-2000-3	122-2001-3	
1/2"	122-2000-4	122-2001-4	
1/4"	122-2002-2	122-2003-2	0-60
3/8"	122-2002-3	122-2003-3	
1/2"	122-2002-4	122-2003-4	
1/4"	122-2004-2	122-2005-2	0-25
3/8"	122-2004-3	122-2005-3	
1/2"	122-2004-4	122-2005-4	

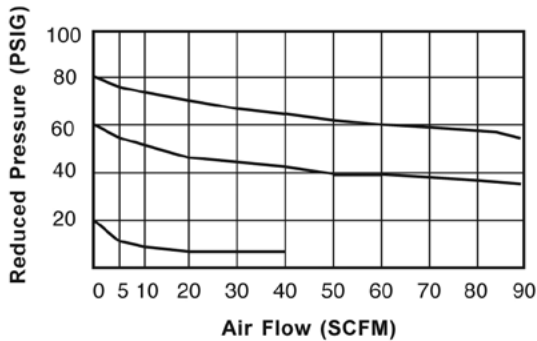
## 32 SERIES REGULATOR

PIPE SIZE: 1/2, 3/4"

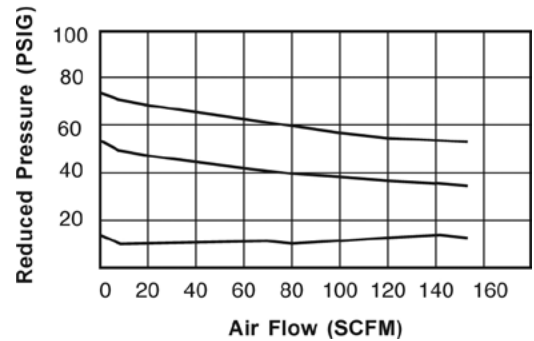


PIPE SIZE	MODEL NUMBER		GAUGE PRESSURE RANGE (PSIG)
	RELIEVING	NON-RELIEVING	
1/2"	132-1000-4	132-1001-4	0-125
3/4"	132-1000-6	132-1001-6	
1/2"	132-1002-4	132-1003-4	0-60
3/4"	132-1002-6	132-1003-6	
1/2"	132-1004-4	132-1005-4	0-25
3/4"	132-1004-6	132-1005-6	
1/2"	132-1006-4	132-1007-4	0-200
3/4"	132-1006-6	132-1007-6	

**Flow Characteristics**

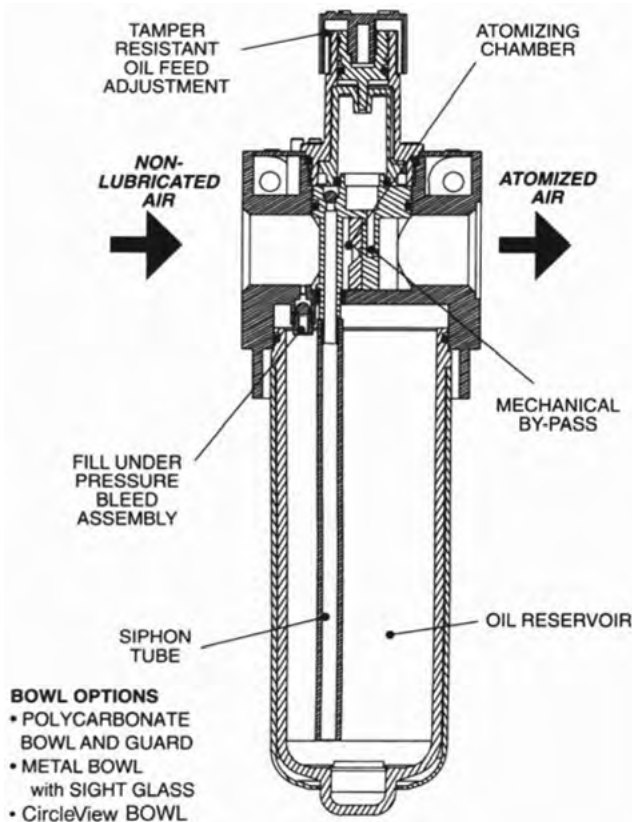


**Flow Characteristics**



- Flows are at 100 PSIG and a 25% PSID.

# AIR LINE MODULARS: MODULAR LUBRICATORS



## Application

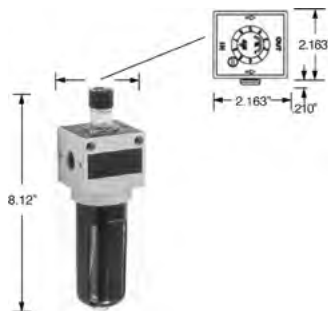
Usually mounted third in the F-R-L series, the lubricator is designed to inject oil aerosols into the air stream of a pneumatic circuit. As air flows from the regulator, some air is divided from the main orifice and is allowed to flow through the fill under pressure bleed assembly and pressurizes the bowl. This forces oil up in the siphon tube past a flow check and into the integral valve/sight dome. The oil then drops through the valve and into the atomization chamber at a rate that is automatically proportional to the airflow. This virtually eliminates the need for readjustment. The Monnaire Modulares™ lubricator can begin delivering lubrication at flows less than 2 SCFM.

## Features

- Two convenient sizes
- Lubrication to begin at less than 2 SCFM
- Fillable under pressure
- Tamper-resistant knob standard
- Available with CircleView sight bowl
- Can be mounted as a modular or individual unit
- Button Head Fill option on both sizes
- Atomizing chamber develops longer life aerosols

## 22 SERIES LUBRICATOR

3.8-OUNCE CAPACITY  
PIPE SIZE: 1/4, 3/8, 1/2"



PIPE SIZE	BOWL TYPE & MODEL NUMBER			FLOW CAPACITY	SCFM
	POLYCARBONATE W/BOWL GUARD	METAL	CIRCLE VIEW		
1/4"	322-2100-2	322-2300-2	322-2000-2	$C_v = 1.9$	40
3/8"	322-2100-3	322-2300-3	322-2000-3	$C_v = 3.0$	70
1/2"	322-2100-4	322-2300-4	322-2000-4	$C_v = 4.4$	100

## 32 SERIES LUBRICATOR

8.5-OUNCE CAPACITY  
PIPE SIZE: 1/2, 3/4"

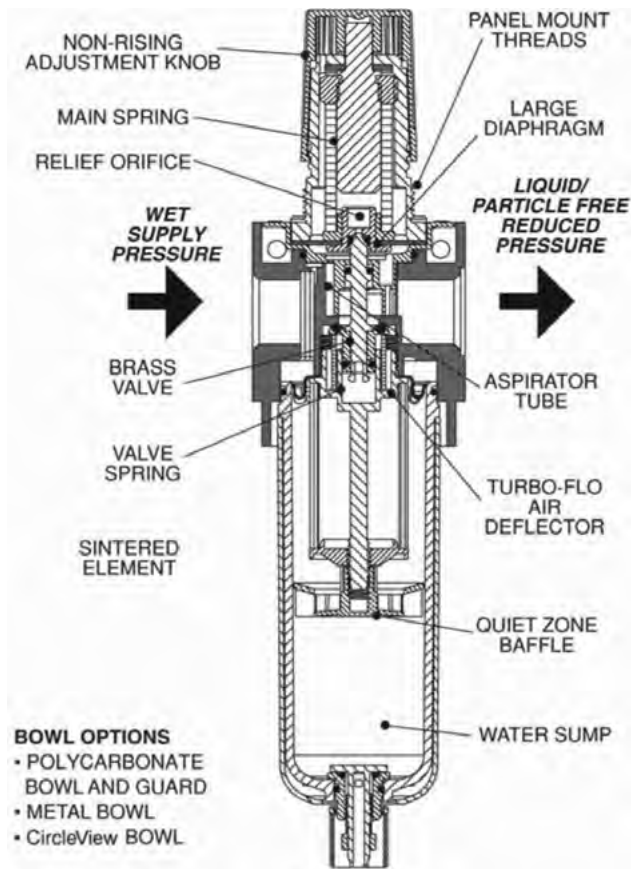


PIPE SIZE	BOWL TYPE & MODEL NUMBER			FLOW CAPACITY	SCFM
	POLYCARBONATE W/BOWL GUARD	METAL	CIRCLE VIEW		
1/2"	332-1100-4	332-1300-4	332-1000-4	$C_v = 4.7$	110
3/4"	332-1100-6	332-1300-6	332-1000-6	$C_v = 7.3$	150

- To order with a manual drain, add suffix "K".
- To order with a Quick Fill Button Head, add suffix "Q".



# AIR LINE MODULARS: MODULAR FILTER/REGULATORS



## Application

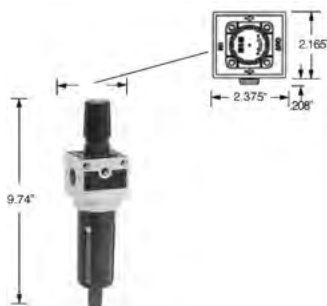
The integral filter/regulator is a two-station component designed to filter and regulate compressed air when cost and space are a primary concern. As dirty, wet air enters, it immediately flows through the air deflector causing the air to move in a swirling motion. After condensed water is centrifugally removed, air passes through the filter and into the regulator. The high pressure air is systematically reduced via the adjustment spring and valve and exits the housing as clean and dry air that is ready to work at the specified pressure.

## Features

- Two convenient sizes
- 5 micron sintered elements standard
- Can be installed as modular or individual unit
- Non-rising knob
- Standard output pressure 0-125 PSIG
- Bowl seals held captive

## 22 SERIES FILTER/REGULATOR

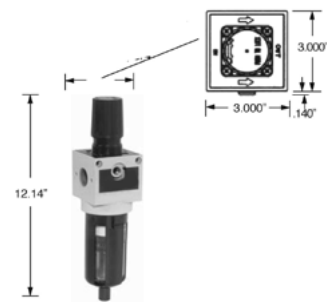
3.8-OUNCE CAPACITY  
PIPE SIZE: 1/4, 3/8, 1/2"



PIPE SIZE	BOWL TYPE & MODEL NUMBER			SCFM AT REDUCED PRESSURE OF		
	POLYCARBONATE W/BOWL GUARD	METAL	CIRCLE VIEW	25 PSIG	60 PSIG	80 PSIG
1/4"	FR22-2100-2	FR22-2300-2	FR22-2000-2	40	50	65
3/8"	FR22-2100-3	FR22-2300-3	FR22-2000-3	60	70	75
1/2"	FR22-2100-4	FR22-2300-4	FR22-2000-4	60	70	75

## 32 SERIES FILTER/REGULATOR

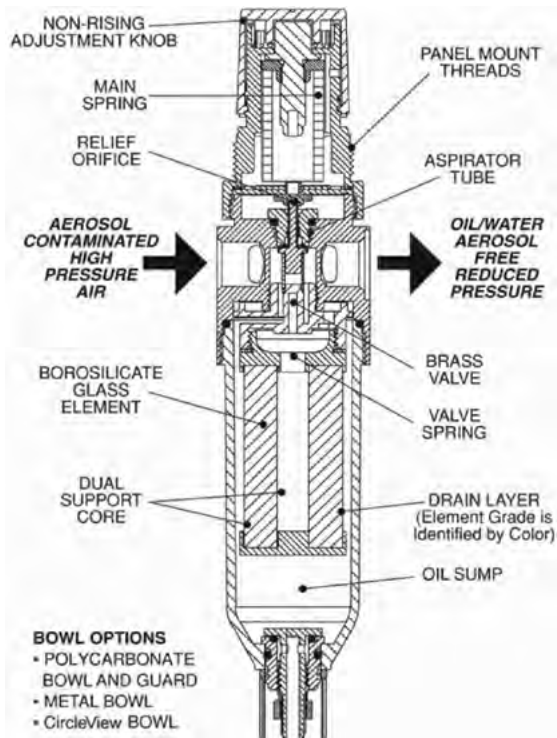
8.5-OUNCE CAPACITY  
PIPE SIZE: 1/2, 3/4"



PIPE SIZE	BOWL TYPE & MODEL NUMBER			SCFM AT REDUCED PRESSURE OF		
	POLYCARBONATE W/BOWL GUARD	METAL	CIRCLE VIEW	25 PSIG	60 PSIG	80 PSIG
1/2"	FR32-1100-4	FR32-1300-4	FR32-1000-4	100	115	130
3/4"	FR32-1100-6	FR32-1300-6	FR32-1000-6	100	115	130

- See Monnaire Modular™ Regulators for "Flow Characteristics".
- Flows are at 100 PSIG and a 25% PSID.

# AIR LINE MODULARS: MODULAR COALESCING FILTER/REGULATORS



## Features

- Cartridge element design
- Inner and outer support cores prevent element from crushing in either flow direction
- Connects to modular design
- Four element grades available

## Application

Monnier's Monnaie Modular™ Coalescer/Regulator is a two-station point of use air preparation system designed to provide superior filtration and regulation in one compact housing. Available with four different element choices, the Coalescer/Regulator can be specified to attack and remove the exact type of contamination that is critical to the specific application.

## Element Performance Data

Performance of any coalescing filter is in relationship to the velocity of the air passing through (inside to outside) the element. Since velocity and  $\Delta P$  are directly proportional (the higher the pressure the higher the velocity), we must size filters according to the flow at the optimum pressure rather than at maximum velocity to atmosphere. Tests indicate the most effective  $\Delta P$  for removing aerosols and contaminants from an airline is 1.5 PSI or less. This indicates that the filters are capable of flowing much more air than is recommended for maximum contamination removal. In the individual Monnaie Modular™ filter sections of the catalog, we have included the Cv ratings on all our coalescing filters. This allows an exact determination of flow based upon known parameters.

## Recommended Uses

**0.7 Micron Element**, identified by its BLUE drain layer, is a relatively coarse coalescing filter for large amounts of water, rust, pipe scale and hydrocarbons. Excellent filter for environments that have severe contamination. Can be used for lubricated or "dry" systems. Mainline filtration of plant air.

**0.3 Micron Element**, identified by its GREEN drain layer, is a fine filter for cylinders or valves especially when the circuit is being run without lubrication ("dry"). Excellent filters for desiccant or regenerative style filters.

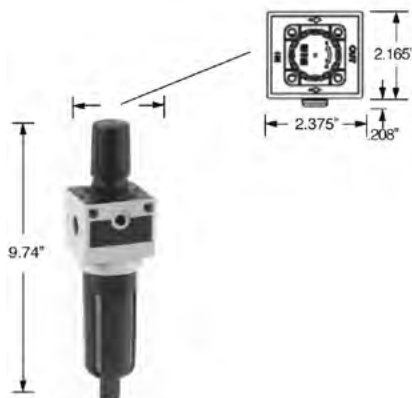
**0.01 Micron Element**, identified by its RED drain layer, is an ultrafine filter for oil free instrumentation air, blow molding, food and drug packaging, electronics applications and other applications requiring maximum contamination removal.

**Adsorber Element**, identified by its WHITE drain layer, is an adsorbing filter that utilizes activated carbon to deodorize compressed air. Typically, it is used to protect worker environments, food and drug applications and instrumentation for analytical instruments. Life expectancy is approximately 3 months at rated flow.

# AIR LINE MODULARS: MODULAR COALESCING FILTER/REGULATORS

## 22 SERIES COALESCER/REGULATOR

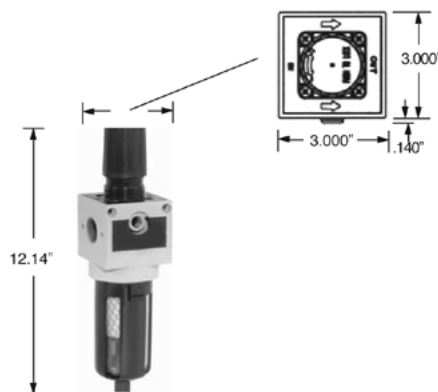
3.8-OUNCE CAPACITY  
PIPE SIZE: 1/4, 3/8, 1/2"



ELEMENT RATING:						
PIPE SIZE	BOWL TYPE & MODEL NUMBER			SCFM AT 100 PSIG INLET & 1.5 PSID ACROSS THE ELEMENT		
<b>0.7 MICRON</b>						
	POLYCARBONATE W/BOWL GUARD	METAL	CIRCLE VIEW	25	60	100
1/4"	FR22-2107-2	FR22-2307-2	FR22-2007-2	20	26	34
3/8"	FR22-2107-3	FR22-2307-3	FR22-2007-3			
1/2"	FR22-2107-4	FR22-2307-4	FR22-2007-4			
<b>0.3 MICRON</b>						
	POLYCARBONATE W/BOWL GUARD	METAL	CIRCLE VIEW	8	11	15
1/4"	FR22-2103-2	FR22-2303-2	FR22-2003-2			
3/8"	FR22-2103-3	FR22-2303-3	FR22-2003-3			
1/2"	FR22-2103-4	FR22-2303-4	FR22-2003-4			
<b>0.01 MICRON</b>						
	POLYCARBONATE W/BOWL GUARD	METAL	CIRCLE VIEW	3	5	6
1/4"	FR22-2101-2	FR22-2301-2	FR22-2001-2			
3/8"	FR22-2101-3	FR22-2301-3	FR22-2001-3			
1/2"	FR22-2101-4	FR22-2301-4	FR22-2001-4			
<b>VAPOR ADSORBER</b>						
	POLYCARBONATE W/BOWL GUARD	METAL	CIRCLE VIEW	8	11	15
1/4"	FR22-210A-2	FR22-230A-2	FR22-200A-2			
3/8"	FR22-210A-3	FR22-230A-3	FR22-200A-3			
1/2"	FR22-210A-4	FR22-230A-4	FR22-200A-4			

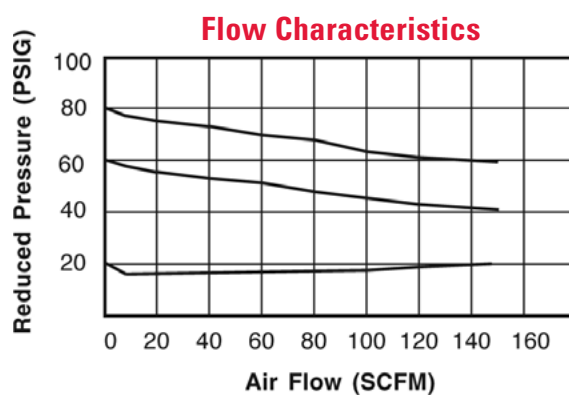
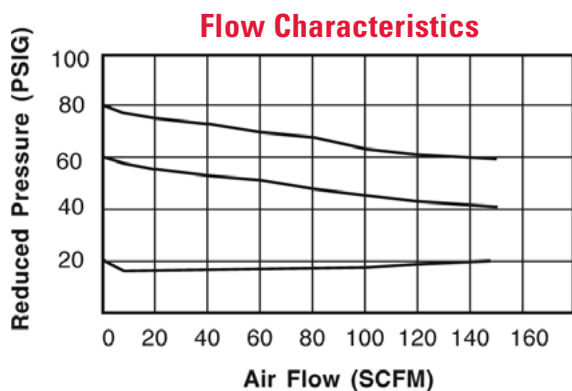
## 32 SERIES COALESCER/REGULATOR

8.5-OUNCE CAPACITY  
PIPE SIZE: 1/2, 3/4"



ELEMENT RATING:						
PIPE SIZE	BOWL TYPE & MODEL NUMBER			SCFM AT 100 PSIG INLET & 1.5 PSID ACROSS THE ELEMENT		
<b>0.7 MICRON</b>						
	POLYCARBONATE W/BOWL GUARD	METAL	CIRCLE VIEW	25	60	100
1/2"	FR32-1107-4	FR32-1307-4	FR32-1007-4	45	70	90
3/4"	FR32-1107-6	FR32-1307-6	FR32-1007-6			
<b>0.3 MICRON</b>						
	POLYCARBONATE W/BOWL GUARD	METAL	CIRCLE VIEW	28	40	55
1/2"	FR32-1103-4	FR32-1303-4	FR32-1003-4			
3/4"	FR32-1103-6	FR32-1303-6	FR32-1003-6			
<b>0.01 MICRON</b>						
	POLYCARBONATE W/BOWL GUARD	METAL	CIRCLE VIEW	15	24	28
1/2"	FR32-1101-4	FR32-1301-4	FR32-1001-4			
3/4"	FR32-1101-6	FR32-1301-6	FR32-1001-6			
<b>VAPOR ADSORBER</b>						
	POLYCARBONATE W/BOWL GUARD	METAL	CIRCLE VIEW	28	40	55
1/2"	FR32-110A-4	FR32-130A-4	FR32-100A-4			
3/4"	FR32-110A-6	FR32-130A-6	FR32-100A-6			

**Note:** To order with prefilter, add suffix "E".



# AIR LINE MODULARS: MODULAR COMBINATIONS

## ASSEMBLY OPTIONS

MODEL CODE EXAMPLE:

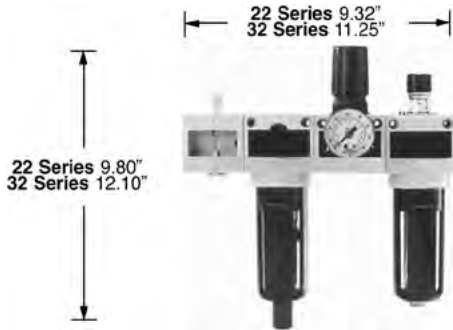
**A22-VFRL-2**

**C** = Coalescer/Regulator Piggyback  
**D** = Diverter Block  
**E** = Diverter Plate  
**F** = Filter  
**FF** = Particulate & Coalescing Filters  
**L** = Lubricators  
**P** = Filter/Regulator Piggyback  
**R** = Regulator  
**V** = Shutoff Valve

### SUFFIXES

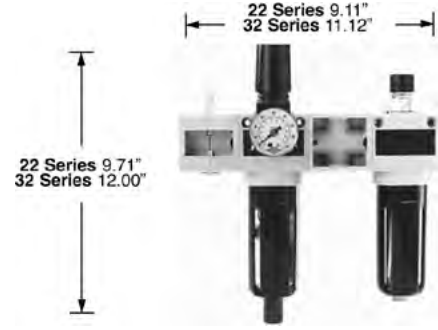
Description	Suffix
Impulse Drain	<b>D</b>
Automatic Float Drain	<b>F</b>
Metal Bowl	<b>M</b>
CircleView Bowl	<b>C</b>

## SHUT OFF-FILTER REGULATOR-LUBRICATOR WITH GAUGE



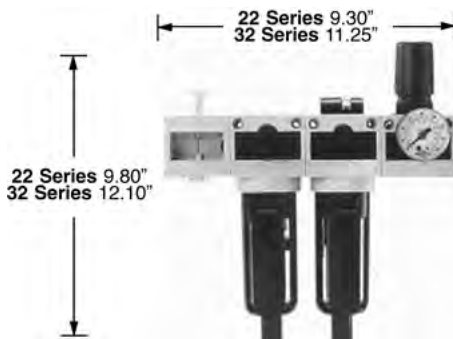
PIPE SIZE	MODEL NUMBER	
<b>22 SERIES</b>		
	<b>W/ SHUTOFF</b>	<b>W/O SHUTOFF</b>
1/4"	A22-VFRL-2	A22-FRL-2
3/8"	A22-VFRL-3	A22-FRL-3
1/2"	A22-VFRL-4	A22-FRL-4
<b>32 SERIES</b>		
1/2"	A32-VFRL-4	A32-FRL-4
3/4"	A32-VFRL-6	A32-FRL-6

## SHUT OFF-FILTER/REGULATOR DIVERTER BLOCK-LUBRICATOR WITH GAUGE



PIPE SIZE	MODEL NUMBER	
<b>22 SERIES</b>		
	<b>W/ SHUTOFF</b>	<b>W/O SHUTOFF</b>
1/4"	A22-VPDL-2	A22-PDL-2
3/8"	A22-VPDL-3	A22-PDL-3
1/2"	A22-VPDL-4	A22-PDL-4
<b>32 SERIES</b>		
1/2"	A32-VPDL-4	A32-PDL-4
3/4"	A32-VPDL-6	A32-PDL-6

## SHUT OFF-FILTER-COALESCEING FILTER-REGULATOR WITH GAUGE



PIPE SIZE	MODEL NUMBER	
<b>22 SERIES</b>		
	<b>W/ SHUTOFF</b>	<b>W/O SHUTOFF</b>
1/4"	A22-VFFR-2	A22-FFR-2
3/8"	A22-VFFR-3	A22-FFR-3
1/2"	A22-VFFR-4	A22-FFR-4
<b>32 SERIES</b>		
1/2"	A32-VFFR-4	A32-FFR-4
3/4"	A32-VFFR-6	A32-FFR-6

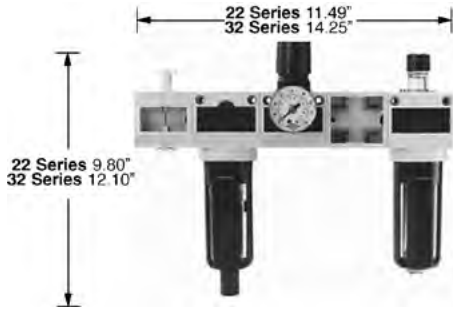
## SHUT OFF-COALESCEER/ REGULATOR-LUBRICATOR WITH GAUGE



PIPE SIZE	MODEL NUMBER	
<b>22 SERIES</b>		
	<b>W/ SHUTOFF</b>	<b>W/O SHUTOFF</b>
1/4"	A22-VCL-2	A22-CL-2
3/8"	A22-VCL-3	A22-CL-3
1/2"	A22-VCL-4	A22-CL-4
<b>32 SERIES</b>		
1/2"	A32-VCL-4	A32-CL-4
3/4"	A32-VCL-6	A32-CL-6

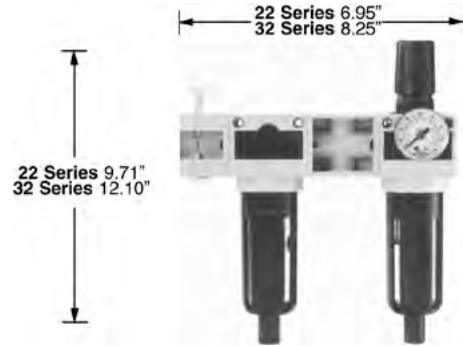
# AIR LINE MODULARS: MODULAR COMBINATIONS

## SHUT OFF-FILTER-REGULATOR-DIVERTER BLOCK-LUBRICATOR WITH GAUGE



PIPE SIZE	MODEL NUMBER	
<b>22 SERIES</b>		
	W/ SHUTOFF	W/O SHUTOFF
1/4"	A22-VFRDL-2	A22-FRDL-2
3/8"	A22-VFRDL-3	A22-FRDL-3
1/2"	A22-VFRDL-4	A22-FRDL-4
<b>32 SERIES</b>		
1/2"	A32-VFRDL-4	A32-FRDL-4
3/4"	A32-VFRDL-6	A32-FRDL-6

## SHUT OFF-FILTER-DIVERTER BLOCK COALESCER/REGULATOR WITH GAUGE



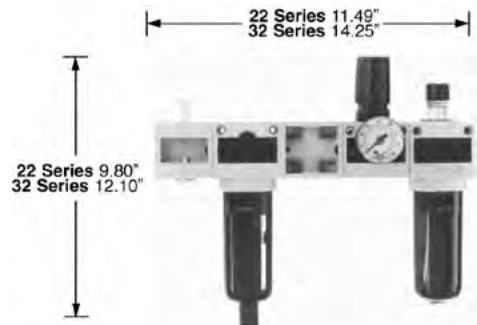
PIPE SIZE	MODEL NUMBER	
<b>22 SERIES</b>		
	W/ SHUTOFF	W/O SHUTOFF
1/4"	A22-VFDC-2	A22-FDC-2
3/8"	A22-VFDC-3	A22-FDC-3
1/2"	A22-VFDC-4	A22-FDC-4
<b>32 SERIES</b>		
1/2"	A32-VFDC-4	A32-FDC-4
3/4"	A32-VFDC-6	A32-FDC-6

## SHUT OFF-FILTER/REGULATOR-LUBRICATOR WITH GAUGE



PIPE SIZE	MODEL NUMBER	
<b>22 SERIES</b>		
	W/ SHUTOFF	W/O SHUTOFF
1/4"	A22-VPL-2	A22-PL-2
3/8"	A22-VPL-3	A22-PL-3
1/2"	A22-VPL-4	A22-PL-4
<b>32 SERIES</b>		
1/2"	A32-VPL-4	A32-PL-4
3/4"	A32-VPL-6	A32-PL-6

## SHUT OFF-FILTER DIVERTER BLOCK REGULATOR-LUBRICATOR WITH GAUGE



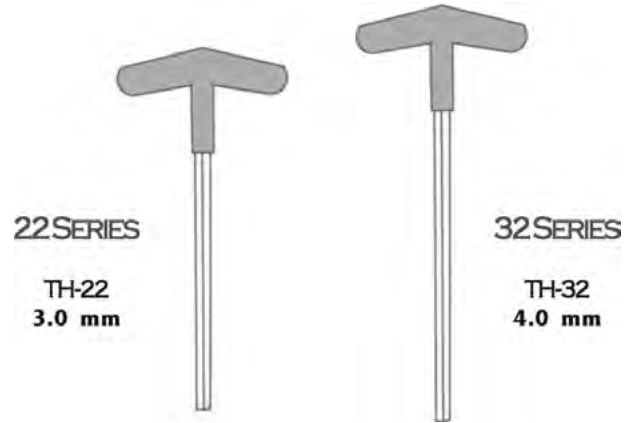
PIPE SIZE	MODEL NUMBER	
<b>22 SERIES</b>		
	W/ SHUTOFF	W/O SHUTOFF
1/4"	A22-VFDRDL-2	A22-FDRDL-2
3/8"	A22-VFDRDL-3	A22-FDRDL-3
1/2"	A22-VFDRDL-4	A22-FDRDL-4
<b>32 SERIES</b>		
1/2"	A32-VFDRDL-4	A32-FDRDL-4
3/4"	A32-VFDRDL-6	A32-FDRDL-6

# AIR LINE MODULARS: MODULAR ACCESSORIES

## MONNAIRE MODULAR™ T-HANDLE DRIVERS

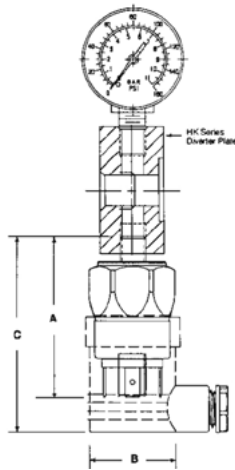
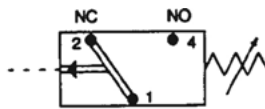
For easy assembly or disassembly of Monnaie Modular™ combinations, we recommend T-Handle drivers. For your convenience, we offer both sizes required.

SERIES	MODEL NUMBER	SIZE RANGE
22	TH-22	3.0 mm
32	TH-32	4.0 mm



## MONNAIRE MODULAR™ PRESSURE SWITCHES

NORMALLY OPEN OR NORMALLY CLOSED



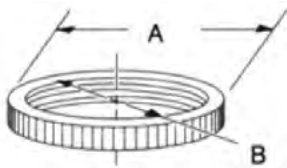
## APPLICATION

Monnier's line of pressure switches is designed for accurate indication that proper system pressure is being achieved. Available in 1/8" or 1/4" threads, it is easily incorporated into an air system using a diverter plate or other manifold. With its rugged housing made from zinc coated steel, Monnier's pressure switches are designed for industrial multi-million cycle applications. The four pin connector plug is included and contains a key way preventing accidental misconnection. Pressure adjustment is tamper resistant hindering unauthorized changes. It can be wired in either normally open or normally closed configurations and includes a case ground pin.

## SPECIFICATIONS

- Contact Rating: 4 A @ 250 VAC
- Protection: IP 65, terminals IP00
- Maximum Operation: 200/min
- Temperature Range: 0° F to 190° F/-15° C to 85° C
- Maximum Pressure: 300 PSI/20 BAR
- Maximum Voltage: 250 VAC/200 DC
- Hysteresis Adjustment: 15%
- Connector Material: Polyamid
- Diaphragm Material: Buna N
- Housing Material: Zinc Plated Steel

## PANEL MOUNT NUT



SERIES	MODEL DIA.	HOLE	A	B
22	PN-22	1.31"	1.50"	1-1/4-16
32	PN-32	1.77"	2.05"	1-3/4-16

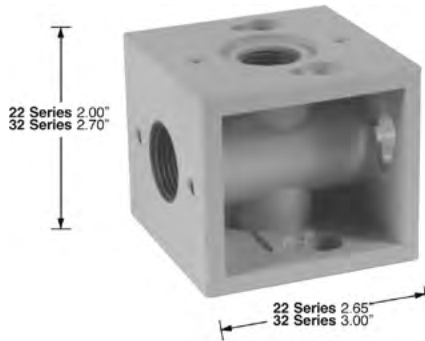
THREAD NPT	MODEL NO. PSIG 180	PSIG	DIMENSIONS		
			A	B	C
1/8"	PS180B-1	4-20	2.5	1.0	3.1
1/8"	PS180C-1	14-150	2.5	1.0	3.1
1/4"	PS180B-2	4-20	2.5	1.0	3.1
1/4"	PS180C-2	14-150	2.5	1.0	3.1
METRIC G-TAP	MODEL NO. PSIG 180	PSIG	A	B	C
1/4"	PSG180B-2	4-20	2.3	1.0	2.9
1/4"	PSG180C-2	14-150	2.3	1.0	2.9

REPLACEMENT CAP PS-180

# AIR LINE MODULARS: MODULAR ACCESSORIES

## DIVERTER BLOCKS

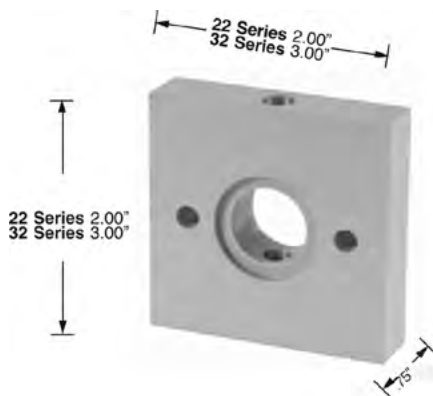
Designed to give Monnaire Modulares™ components total versatility, the diverter block mounts directly inline with the FRL combination. Additional components can then be manifold mounted in a compact manner that doesn't cause excessive pressure drop. There are two available ports per unit; both are tapered for standard service.



MODEL NUMBER			
SERIES	NPTF	G TAP	PORTS
22	DB-22	DBG-22	Tapped 1/2" NPTF in and out with two 3/8" NPTF branches.
32	DB-32	DBG-32	Tapped 3/4" NPTF in and out with two 1/2" NPTF branches.

## DIVERTER PLATES

Monnaire Modular™ Diverter Plates are designed to provide air signals in compact space. Used individually or in combination they can be used with gauges or switches to determine a pressure or  $\Delta P$  signal.

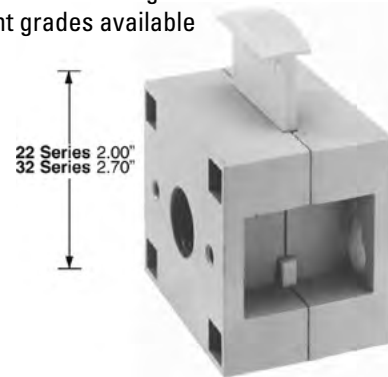


MODEL NUMBER			
SERIES	NPTF	G TAP	OUTLET PORTS
22	DP-22	DPG-22	1/8"
32	DP-32	DPG-32	1/8"

## SHUT-OFF VALVE

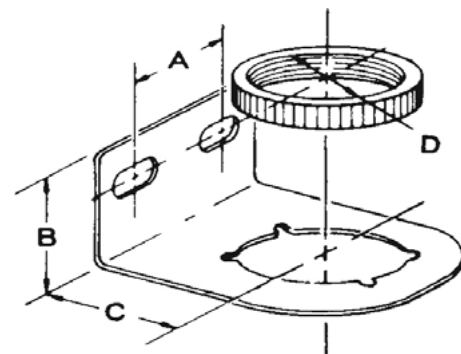
### Features

- Cartridge element design
- Inner and outer support cores prevent element from crushing in either flow direction
- Connects to modular design
- Four element grades available



MODEL NUMBER			
SERIES	NPTF	G TAP	PORTS
22	V22-2	VG22-2	1/4"
	V22-3	VG22-3	3/8"
	V22-4	VG22-4	1/2"
32	V32-4	VG32-4	1/2"
	V32-6	VG32-6	3/4"

## MOUNTING BRACKETS



SERIES	MODEL NO.	DIMENSIONS			
		A	B	C	D
22	MB-22	.69"	1.06"	1.25"	1-1/4"-16
32	MB-32	1.63"	1.20"	1.50"	1-3/4"-16

Application: Mounts between two units