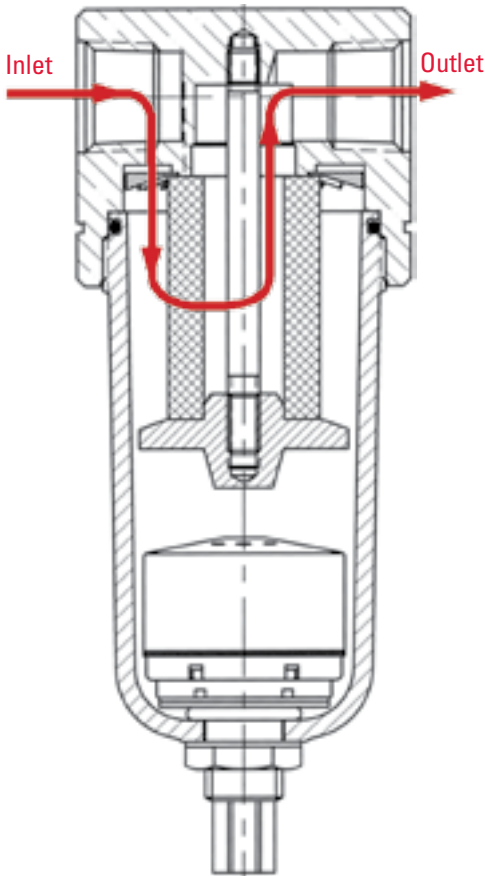




Particulate Filters

Monnier particulate filters remove solid and liquid contaminants from compressed air. The proper selection and use of compressed air filters will prevent many short and long term issues with your compressed air equipment and systems, and save you substantially in down-time and component replacement costs over the life of your compressed air system.



Filter Function

Monnier particulate filters use two operating principles to remove contaminants from compressed air: Centrifugal force via the whirl disc and particulate impaction by our exclusive dense pack elements.

Air enters the inlet port and is forced through the whirl disc. The whirling action forces all liquids and solids against the bowl wall. Gravity causes them to run down below the quiet-zone baffle where they can be drained. The air then flows through the element where the smaller particles are removed and the filtered air passes downstream.

Exclusive Dense Pack Element Design

Our unique element design provides multiple points of impaction throughout the cross section of the element. This guarantees that the maximum amount of particulate is captured while also ensuring minimal pressure drop over the long life of the element. 20 Micron filter elements are standard in all particulate filters. Additional options are available, as fine as 3 micron. Please see individual product pages for more details. Care should be taken in selecting the element, ensuring that the inlet air quality and the requirements of the downstream components are considered.

Optional Components

Drains: Manual drains are standard. Impulse Drains ("D") or Float Drains ("F") available, depending on product family.

Anodizing: Units can be anodized any of 8 colors. (Colors available: blue, black, clear, green, red, yellow, gold, and purple).

Pipe Size: 1/8"-1-1/2" NPT

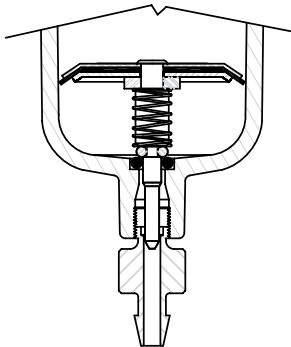
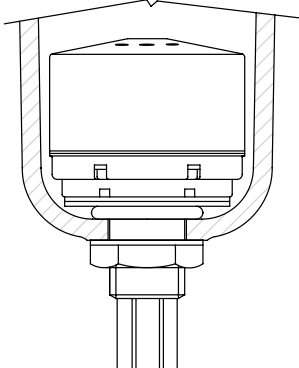
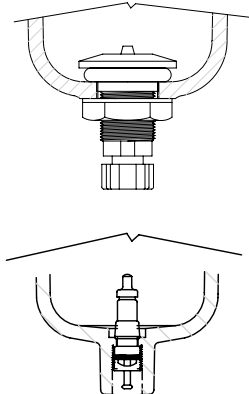
Mounting holes: Mounting holes are options that can be incorporated into any of the filters.

Bowl Options: Polycarbonate bowls, aluminum bowls, sight levels, and bowl guards available depending on the product family.

TABLE OF CONTENTS

3000 Miniature Series	3	5000 Series	7
2000 Compact Series	4	4000 Series	8
1000 Standard Series	5, 6	7202/8202 High Flow	9
		9202 Mainline Series	10

Drain Options

IMPULSE	FLOAT	MANUAL
 <p>The diaphragm in this drain pulses when there is a pressure differential such as a valve cycling or cylinder stroking downstream. This action flexes the diaphragm and allows the filter to drain the entrapped water.</p>	 <p>The float internal to this drain rises with increased liquid level. When the float rises, it opens a seat area allowing the trapped liquids to drain through the bottom. A manual override can be pushed in the bottom of the drain to unseat the float and allow the liquids to drain.</p>	 <p>Manual drain valve operation varies with the product family, from Schrader valves in the miniature 3000 series to petcocks in the larger sizes.</p>

Caution

Bowl guards are recommended on all polycarbonate bowl filters! All bowl guards are made of heavy-duty stainless steel.

Warning

Polycarbonate bowls can be damaged and may fail if they are exposed to or come in contact with solvents, strong alkalies, fire resistant and/or synthetic compressor lubricants.

WARRANTY: Monnier, Inc. warrants each product against defects in material and workmanship for a period of one year from the date of manufacture providing its use was in accordance with Monnier, Inc. recommendations. If the product fails to perform as warranted, Monnier, Inc. will, at its option, repair or replace the product free of charge. The company will not be liable for incidental or consequential damages. We make no other warranty, expressed or implied, including warranties of merchantability or fitness for a particular purpose.

PARTICULATE FILTERS: 204-3000 Miniature Series



Features

- Dense pack element design ensures long element life with minimal pressure drop
- Threaded bowl for ease of maintenance
- 20 micron element standard (10 and 5 micron elements available)
- Manual drain standard, impulse drain available

Operating Specifications

- Bowl Capacity:** 1 oz.
Maximum Pressure Ratings:
 - Aluminum Bowl: 250 PSIG
 - Polycarbonate Bowl: 150 PSIG
Temperature Ratings:
 - Aluminum Bowl: 0-200°F
 - Polycarbonate Bowl: 0-120°F

Accessories & Kits

- Bowl Kit w/ Manual Drain**
 Polycarbonate: 23520 Aluminum: 23533
Bowl Kit w/ Impulse Drain
 Polycarbonate: 23521 Aluminum: 23534
Elements:
 - 20 Micron: 23004
 - 10 Micron: 23025
 - 5 Micron: 23040



Manual Drain

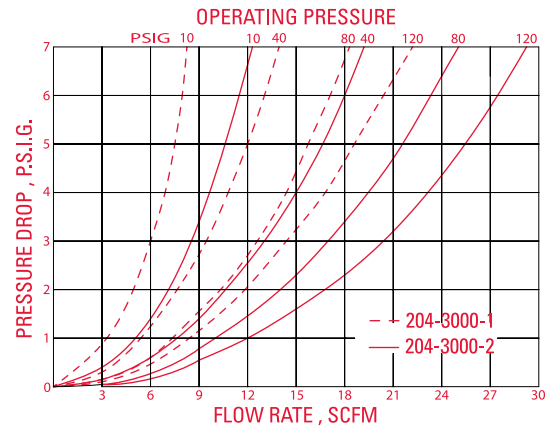


Automatic Drain

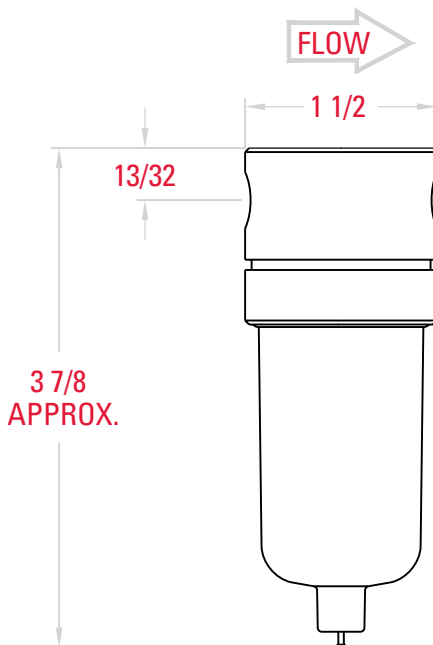
Materials of Construction

- Head:** Machined Aluminum
Bowl: Polycarbonate or Machined Aluminum
Whirl Disc: Acetal
Element Retainer: Celanese
Elements:
 - Phenolic Impregnated Cellulose (20 & 10 Micron)
 - Polypropylene (5 Micron)
Seals: Buna-N (Fluorocarbon available)
Drain: Manual (Brass and Stainless Steel)

Flow Characteristics



Dimensions



Ordering Information

204-3000-2

Bowl Type	
Polycarbonate	0
Polycarbonate w/ Bowl Guard	1
Metal	2

Elements	
20 Micron	0
10 Micron	1
5 Micron	2

Pipe Size	
1/8"	1
1/4"	2

OPTIONS

Anodizing

No Anodizing	Blank
Blue	A1
Black	A2
Clear	A3
Green	A4
Red	A5
Yellow	A6
Gold	A7
Purple	A8

Drain

Manual (Standard)	Blank
Impulse	D

Seals

Buna-N (Standard)	Blank
Fluorocarbon	V

Mounting Hole

Two 1/4-20 mounting holes on top surface	MH
1/4 NPT mounting hole on side	MS

PARTICULATE FILTERS: 204-2000 Compact Series



Manual Drain



Automatic Drain

Features

- Whirl disc creates centrifugal action for maximum water and particulate removal
- Dense pack element design ensures long life with minimal pressure drop
- Tie-rod construction for maximum stability
- 20 micron element standard (10 and 3 micron elements available)
- Manual drain standard; float drain or impulse drains available

Operating Specifications

Bowl Capacity: 5 oz.

Maximum Pressure Ratings:

- Aluminum Bowl: 250 PSIG
- Polycarbonate Bowl: 150 PSIG

Temperature Ratings:

- Aluminum Bowl: 0-200°F
- Polycarbonate Bowl: 0-120°F

Replacement Parts

Polycarbonate Bowl Kit: 22520

Aluminum Bowl Kit: 22537

Aluminum Bowl Kit w/ Sight Level:
22521-P / 22521-T

Elements:

- 20 Micron: 22205
- 10 Micron: 22033
- 3 Micron: 23032

Materials of Construction

Head: Machined Aluminum

Bowl: Polycarbonate or Machined Aluminum

Whirl Disc: Acetal

Stud: Unanodized assembly: Plated Steel
Anodized assembly: Brass

Base Nut Assembly: Machined Aluminum

Baffle Plate: Acetal

Element: Phenolic Impregnated Cellulose

Seals: Buna-N (Fluorocarbon available)

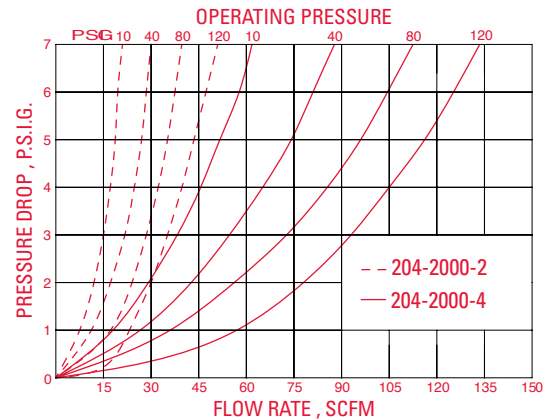
Drain:

- Manual: Brass and Plated Steel
- Float: Anodized Aluminum w/ Acetal and Stainless Steel Float mechanism
- Impulse: Machined Aluminum, Brass, and Buna-N (Fluorocarbon Available)

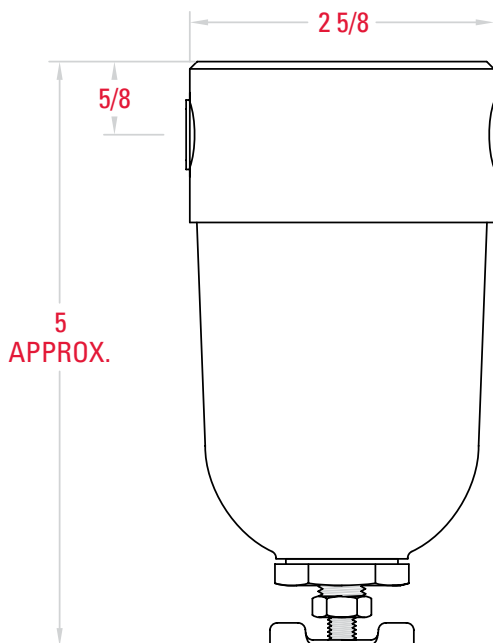
Bowl Guard: Stainless Steel

Sight Level: Polycarbonate (Trogamid available)

Flow Characteristics



Dimensions



Ordering Information

204-2000-2

Bowl Type	
Polycarbonate	0
Polycarbonate w/ Bowl Guard	1
Metal	2
Metal w/ Sight Level	3

Elements	
20 Micron	0
10 Micron	1
3 Micron	2

Pipe Size	
1/4"	2
3/8"	3
1/2"	4

OPTIONS

Anodizing	
No Anodizing	Blank
Blue	A1
Black	A2
Clear	A3
Green	A4
Red	A5
Yellow	A6
Gold	A7
Purple	A8
Drain	
Manual	Blank
Impulse	D
Float	F
Seals	
Buna-N	Blank
Fluorocarbon	V
Mounting Hole	
Two 1/4-20 mounting holes on top surface	MH
1/4 NPT mounting hole on side	MS

PARTICULATE FILTERS: 205-1000 Standard Series



Features

- Whirl disc creates centrifugal action for maximum water and particulate removal
- High flow with greater bowl capacity (8 oz.)
- Dense pack element design ensures long life with minimal pressure drop
- Threaded components for ease of maintenance
- 20 micron element standard (10 and 3 micron elements available)
- Manual twist drain standard; internal float or external impulse drains available

Operating Specifications

- Bowl Capacity:** 8 oz.
Maximum Pressure Ratings:
 - Aluminum Bowl: 250 PSIG
 - Polycarbonate Bowl: 150 PSIG
Temperature Ratings:
 - Aluminum Bowl: 0-200°F
 - Polycarbonate Bowl: 0-120°F

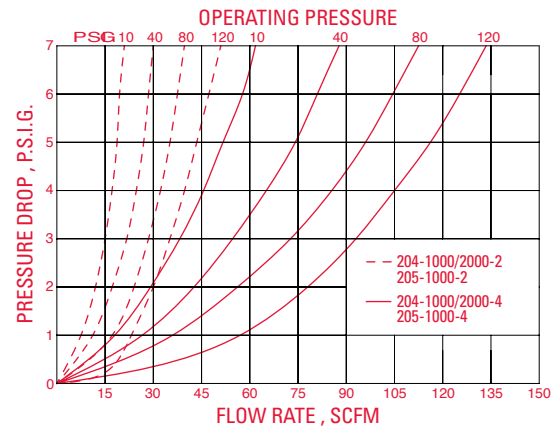
Replacement Parts

- Polycarbonate Bowl Kit:** 21504
Polycarbonate Bowl Kit w/ Float Drain: 21572
Metal Bowl Kit w/ Float Drain: 21583
Metal Bowl Kit: 21580
Metal Bowl Kit (Polycarbonate/ Trogamid): 21581-P / 21581-T
Elements:
 - 20 Micron: 21205 - 3 Micron: 21037
 - 10 Micron: 21036

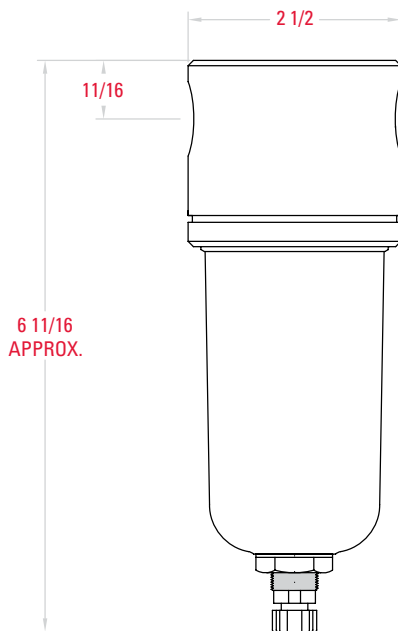
Materials of Construction

- Head:** Machined Aluminum
Bowl: Polycarbonate or Machined Aluminum
Whirl Disc: Aluminum
Stud: Brass
Element Retainer: Machined Aluminum
Element: Phenolic Impregnated Cellulose
Seals: Buna-N (Fluorocarbon available)
Drain:
 - Manual: Plastic
 - Float: Acetal and Stainless Steel
 - Impulse: Machined Aluminum, Brass, and Buna-N (Fluorocarbon Available)
Bowl Guard: Stainless Steel
Sight Level: Polycarbonate (Trogamid available)

Flow Characteristics



Dimensions



Ordering Information

205-1000-2

Bowl Type	
Polycarbonate	0
Polycarbonate w/ Bowl Guard	1
Metal	2
Metal w/ Sight Level	3

Elements	
20 Micron	0
10 Micron	1
3 Micron	2

Pipe Size	
1/4"	2
3/8"	3
1/2"	4

OPTIONS

Anodizing	
No Anodizing	Blank
Blue	A1
Black	A2
Clear	A3
Green	A4
Red	A5
Yellow	A6
Gold	A7
Purple	A8

Drain	
Manual (Standard)	Blank
Impulse (External)	D
Float (Internal)	F

Seals	
Buna-N (Standard)	Blank
Fluorocarbon	V

Mounting Hole	
Two 1/4-20 mounting holes on top surface	MH
1/4 NPT mounting hole on side	MS

PARTICULATE FILTERS: 204-1000 Standard Series



Features

- Whirl disc creates centrifugal action for maximum water and particulate removal
- High flow with greater bowl capacity (8 oz.)
- Dense pack element design ensures long life with minimal pressure drop
- Tie-rod construction for maximum stability
- 20 micron element standard (10 and 3 micron elements available)
- Available with manual, float or impulse drain

Operating Specifications

- Bowl Capacity:** 8 oz.
Maximum Pressure Ratings:
 - Aluminum Bowl: 250 PSIG
 - Polycarbonate Bowl: 150 PSIG
Temperature Ratings:
 - Aluminum Bowl: 0-200°F
 - Polycarbonate Bowl: 0-120°F

Replacement Parts

- Polycarbonate Bowl Kit:** 21557
Aluminum Bowl Kit: 21558
Aluminum Bowl Kit w/ Sight Level: 22559-P / 22559-T
Elements:
 - 20 Micron: 21205
 - 10 Micron: 21036
 - 3 Micron: 21037



Manual Drain

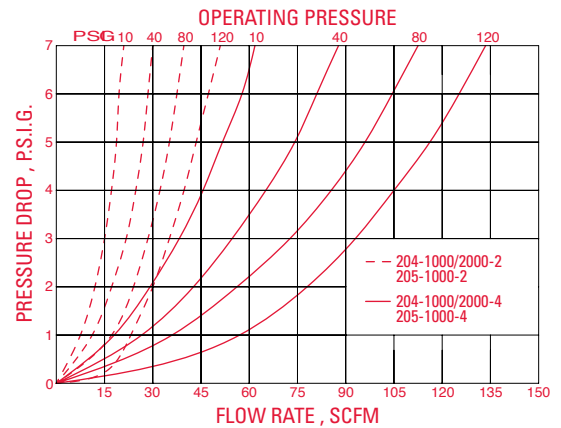


Automatic Drain

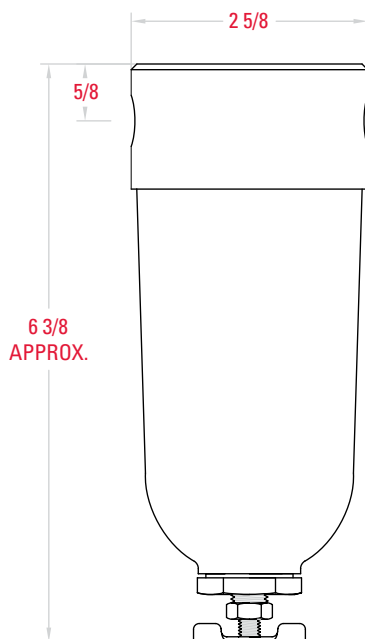
Materials of Construction

- Head:** Machined Aluminum
Bowl: Polycarbonate or Machined Aluminum
Whirl Disc: Acetal
Stud: - Unanodized assembly: Plated Steel
 - Anodized assembly: Brass
Base Nut Assembly: Machined Aluminum
Baffle Plate: Acetal
Element: Phenolic Impregnated Cellulose
Seals: Buna-N (Fluorocarbon available)
Drain: - Manual: Plastic
 - Float: Acetal and Stainless Steel
 - Impulse: Machined Aluminum, Brass, and Buna-N (Fluorocarbon Available)
Bowl Guard: Stainless Steel
Sight Level: Polycarbonate (Trogamid available)

Flow Characteristics



Dimensions



Ordering Information

204-1000-2

Bowl Type	
Polycarbonate	0
Polycarbonate w/ Bowl Guard	1
Metal	2
Metal w/ Sight Level	3

Elements	
20 Micron	0
10 Micron	1
3 Micron	2

Pipe Size	
1/4"	2
3/8"	3
1/2"	4

OPTIONS

Anodizing	
No Anodizing	Blank
Blue	A1
Black	A2
Clear	A3
Green	A4
Red	A5
Yellow	A6
Gold	A7
Purple	A8
Drain	
Manual (Standard)	Blank
Impulse (External)	D
Float (External)	F
Seals	
Buna-N	Blank
Fluorocarbon	V
Mounting Hole	
Two 1/4-20 mounting holes on top surface	MH
1/4 NPT mounting hole on side	MS

PARTICULATE FILTERS: 201-5000 Series



Features

- Excellent water removal characteristics
- Heavy duty machined aluminum for rugged applications
- Dense pack element design ensures long life with maximum particulate removal
- Now available with internal float drain or external impulse drain
- High flow with large bowl capacity (21 oz.)
- 20 micron elements standard (100, 10 and 3 available as well)

Operating Specifications

- Bowl Capacity:** 21 oz.
- Maximum Pressure Ratings:**
- Aluminum Bowl: 250 PSIG
 - Polycarbonate Bowl: 150 PSIG
- Temperature Ratings:**
- Aluminum Bowl: 0-200°F
 - Polycarbonate Bowl: 0-120°F

Replacement Parts

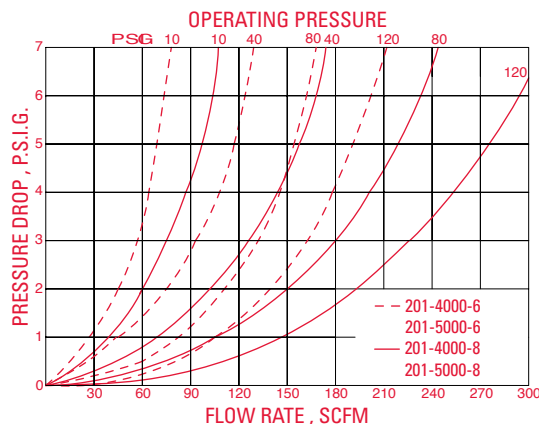
- Polycarbonate Bowl Kit:** 25557
Aluminum Bowl Kit: 25558
Metal Bowl w/ Sight Levels Kit (Polycarbonate/ Trogamid): 25559-P / 25559-T
- Elements:**
- 100 Micron: 25086
 - 20 Micron: 25039
 - 10 Micron: 25029
 - 3 Micron: 25028



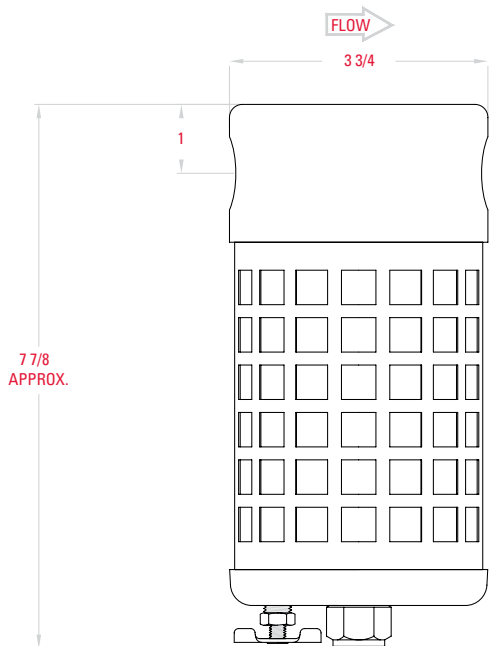
Materials of Construction

- Head:** Machined Aluminum
Bowl: Polycarbonate or Machined Aluminum
Base (Polycarbonate Bowl only): Aluminum
Whirl Disc: Acetal
Stud: Plated Steel
Adaptor, Spacer, Base Nut & Baffle Plate: Aluminum
Element: Phenolic Impregnated Cellulose
Seals: Buna-N (Fluorocarbon available)
Drain: - Manual: Brass and Plated Steel
 - Float: Acetal and Stainless Steel
 - Impulse: Machined Aluminum, Brass, and Buna-N (Fluorocarbon Available)
Bowl Guard: Stainless Steel
Sight Level: Polycarbonate (Trogamid available)

Flow Characteristics



Dimensions



Ordering Information

201-5000-6

Bowl Type	
Polycarbonate	0
Polycarbonate w/ Bowl Guard	1
Metal	2
Metal w/ Sight Level	3

Elements	
20 Micron	0
10 Micron	1
3 Micron	2
100 Micron	3

Pipe Size	
3/4"	6
1"	8

OPTIONS

Anodizing	
No Anodizing	Blank
Blue	A1
Black	A2
Clear	A3
Green	A4
Red	A5
Yellow	A6
Gold	A7
Purple	A8

Drain	
Manual (Standard)	Blank
Float (Internal)	F
Impulse (External)	D

Mounting Hole	
Two 1/4-20 mounting holes on top surface	MH
1/4 NPT mounting hole on side	MS

PARTICULATE FILTERS: 201-4000 Series



Manual Drain



Automatic Drain

Features

- Excellent water removal characteristics
- High flow with large bowl capacity
- Heavy duty machined aluminum for rugged applications
- Dense pack element design ensures long life with minimal pressure drop
- Now available with internal float drain or external impulse drain
- 20 micron elements standard (100 and 3 micron elements available as well)

Operating Specifications

- Bowl Capacity:** 32 oz.
Maximum Pressure Ratings:
 - Aluminum Bowl: 250 PSIG
 - Polycarbonate Bowl: 150 PSIG
Temperature Ratings:
 - Aluminum Bowl: 0-200°F
 - Polycarbonate Bowl: 0-120°F

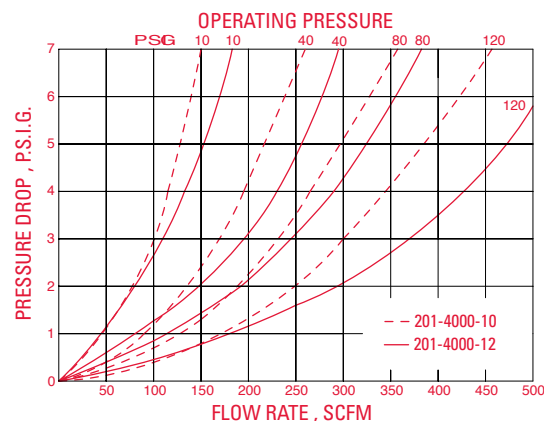
Replacement Parts

- Polycarbonate Bowl Kit:** 24557
Aluminum Bowl Kit: 24558
Metal Bowl w/ Sight Levels Kit (Polycarbonate/Trogamid): 24559-P / 24559-T
Elements:
 - 100 Micron: 24087
 - 20 Micron: 24015
 - 3 Micron: 24013

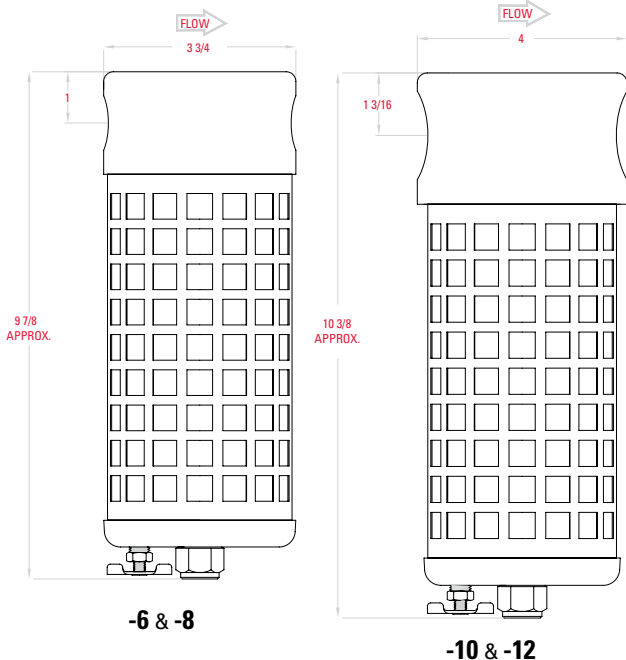
Materials of Construction

- Head:** Machined Aluminum
Bowl: Polycarbonate or Machined Aluminum
Base (Polycarbonate Bowl only): Aluminum
Whirl Disc: Acetal
Stud: Plated Steel
Adaptor, Spacer, Base Nut & Baffle Plate: Aluminum
Element: Phenolic Impregnated Cellulose
Seals: Buna-N (Fluorocarbon available)
Drain: - Manual: Brass and Plated Steel
 - Float: Acetal and Stainless Steel
 - Impulse: Machined Aluminum, Brass, and Buna-N (Fluorocarbon Available)
Bowl Guard: Stainless Steel
Sight Level: Polycarbonate (Trogamid available)

Flow Characteristics



Dimensions



Ordering Information

201-4000-8

Bowl Type	
Polycarbonate	0
Polycarbonate w/ Bowl Guard	1
Metal	2
Metal w/ Sight Level	3

Elements	
20 Micron	0
3 Micron	2
100 Micron	3

Pipe Size	
3/4"	6
1"	8
1 1/4"	10
1 1/2"	12

OPTIONS

Anodizing	
No Anodizing	Blank
Blue	A1
Black	A2
Clear	A3
Green	A4
Red	A5
Yellow	A6
Gold	A7
Purple	A8

Drain	
Manual (Standard)	Blank
Impulse (External)	D
Float (Internal)	F

Mounting Hole	
Two 1/4-20 mounting holes on top surface	MH
1/4 NPT mounting hole on side	MS

PARTICULATE FILTERS: 201-7202/8202 High Flow Series



Features

- 3.0 Micron element
- High flow with minimal pressure drop
- 1.0 PSI Δ P at rated flow
- Available with manual or float drain

Operating Specifications

Port Sizes: 1-1/4", 1-1/2", 2"
Thread Styles: NPT, BSPT, BSPP
Flow Capacity: 400 & 700 SCFM @ 100 PSI
Bowl Types: Aluminum
Maximum Temperature: 175°F
Maximum Pressure: 200 PSIG
Filter Capacity: 3.0 Micron
Differential Pressure: < 1.0 PSI Δ P at Rated Flow

Materials of Construction

Housing: Aluminum
Stud: Stainless Steel
Pressure Drop Indicator: Nylon
Seals: Buna-N (Fluorocarbon available)
Element: Aluminum and Stainless Steel
Assembly Screws: Black Oxide Plated Steel
Drain (20-404): Anodized Aluminum, Acetal, and Stainless Steel



Manual Drain



Automatic Drain

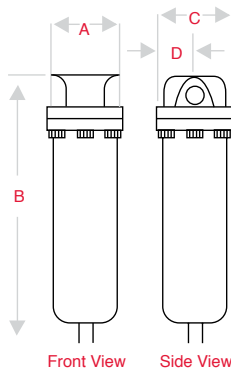
Replacement Parts

Bowl O-Ring (400/700): 27001
Float Drain: 20-404
Differential Indicator (400/700): 27002
Manual Drain: 27003

Replacement Elements

7202: 27000
8202: 28000

Dimensions



Front View

Side View

Metal Bowl, Manual Drain

A: 7.8 **B:** 27.5 **C:** 7.8 **D:** 3.9

Metal Bowl, Float Drain

A: 7.8 **B:** 32.0 **C:** 7.8 **D:** 3.9

Metal Bowl, Float Drain w/ Indicator

A: 7.8 **B:** 33.0 **C:** 7.8 **D:** 3.9

Ordering Information

201-7202-10F

OPTIONS

Drain	
Manual (Standard)	Blank
Float	F

Flow	
400 scfm	7
700 scfm	8

Pressure Drop Indicator	
No PDI	0
Pressure Drop Indicator	8

Pipe Size	
1 1/4"	10
1 1/2"	12
2"	16

PARTICULATE FILTERS: 201-9202 Mainline Series



Features

- 3.0 Micron element
- High flow with minimal pressure drop
- 1.0 PSI ΔP at 1200 scfm
- Manual drain standard; float drain available

Operating Specifications

Port Sizes: 3"
Thread Styles: NPT, BSPT, BSPP
Flow Capacity: 1200 SCFM @ 100 PSI
Bowl Types: Aluminum
Maximum Temperature: 175°F
Maximum Pressure: 200 PSIG
Filter Capacity: 3.0 Micron
Differential Pressure: < 1.0 PSI ΔP at Rated Flow

Materials of Construction

Housing: Aluminum
Stud: Stainless Steel
Pressure Drop Indicator: Nylon
Seals: Buna-N (Fluorocarbon available)
Element: Aluminum and Stainless Steel
Assembly Screws: Black Oxide Plated Steel
Drain (20-404): Anodized Aluminum, Acetal, and Stainless Steel



Manual Drain

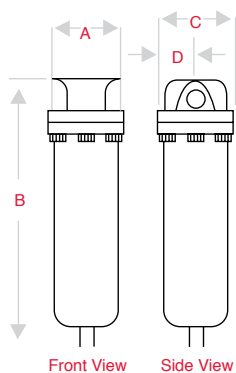


Automatic Drain

Replacement Parts

Bowl O-Ring (1200): 29001
Float Drain: 20-404
Replacement Element: 29001
Manual Drain: 29002

Dimensions



Metal Bowl, Manual Drain
A: 8.0 B: 39.5 C: 8.0 D: 4.0

Metal Bowl, Float Drain
A: 8.0 B: 45.0 C: 8.0 D: 4.0

Ordering Information

201-9202-24F

OPTIONS

Drain

Manual (Standard) Float	Blank F
----------------------------	------------

Pressure Drop Indicator

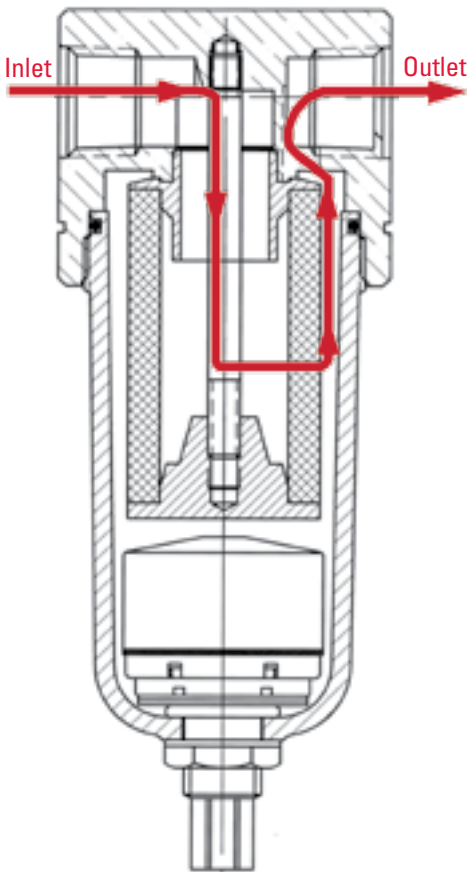
No PDI	0
Pressure Drop Indicator	8

Pipe Size

3"	24
----	----



Coalescing Filters



Coalescing filters remove oil, water and fine particulate from compressed air. Contrary to particulate filters, air flows from the inside to the outside of the coalescing element. Along the way, very fine passageways capture liquid droplets and particulate. Gravity pulls the liquid to the bottom of the element where it drips into the sump area for drainage. The particulate matter is embedded into the element material. The Monnier line of coalescing filters are available with two element options — the 0.3 micron elements that are 99.97% efficient in capturing all oil, dirt, and water from the air; and the 0.01 micron elements that are 99.995% efficient.

For the cleanest air possible and least maintenance cost, we recommend a 3 micron element filter be installed directly upstream of all coalescing filters.

Standard Components

Maximum Pressure Ratings:

- Polycarbonate Bowl: 150 PSI
- Metal Bowls: 250 PSI

Temperature Ratings:

- Polycarbonate Bowl: 0-120°F
- Metal Bowl: 0-200°F

Elements: 0.3 and 0.01 Micron elements are available depending on the product family

Optional Components

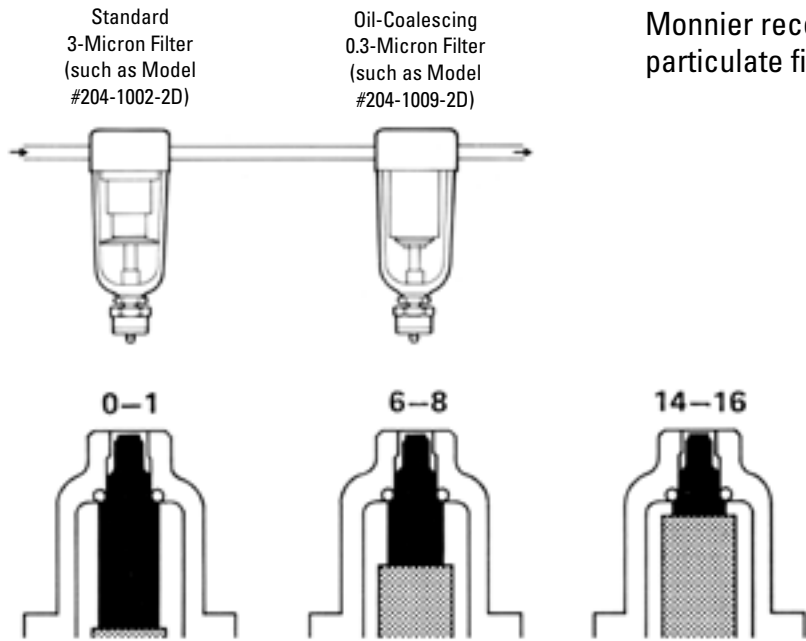
Drains: Manual drains are standard in all coalescing filters. Impulse Drains (“D”) or Float Drains (“F”) are available, depending on product family.

Anodizing: All aluminum heads and bases have standard green anodizing. Metal bowls can be anodized at an additional cost. Drains are clear anodized as standard, but can be ordered in any of our other colors.

Bowl Options: Polycarbonate bowls, aluminum bowls, sight levels, and bowl guards are available depending on the product family.

TABLE OF CONTENTS

3009 Miniature Series	13	4009 Heavy Duty Series	17
2009 Compact Series	14	6209 Heavy Duty Series	18
1009 Standard Series	15, 16	7208/8208 Series	19
		9208 Series	20



Monnier recommends the use of a 3 micron particulate filter upstream of all coalescing filters.

A pressure drop indicator is optional with each coalescing filter. The pressure drop indicator is highly visible and designed so that the relative amount of pressure drop is easily determined from the height of the yellow column.

Caution

Bowl guards are recommended on all polycarbonate bowl filters! All bowl guards are made of heavy-duty stainless steel.

Warning

Polycarbonate bowls can be damaged and may fail if they are exposed to or come in contact with solvents, strong alkalies, fire resistant and/or synthetic compressor lubricants.

WARRANTY: Monnier, Inc. warrants each product against defects in material and workmanship for a period of one year from the date of manufacture providing its use was in accordance with Monnier, Inc. recommendations. If the product fails to perform as warranted, Monnier, Inc. will, at its option, repair or replace the product free of charge. The company will not be liable for incidental or consequential damages. We make no other warranty, expressed or implied, including warranties of merchantability or fitness for a particular purpose.

COALESCING FILTERS: 204-3009 Miniature Series



Features

- Removes liquid and sub-micron solids
- 0.3 Micron element removes 99.97% of all liquid and dirt from air
- 0.01 Micron element removes 99.995% of all liquid and dirt from air
- Available with manual or impulse drain
- Threaded components for ease of maintenance
- Green anodized housing (other colors available)

Operating Specifications

- Bowl Capacity:** 1 oz.
- Maximum Pressure Ratings:**
- Aluminum Bowl: 250 PSIG
 - Polycarbonate Bowl: 150 PSIG
- Temperature Ratings:**
- Aluminum Bowl: 0-200°F
 - Polycarbonate Bowl: 0-120°F

Accessories & Kits

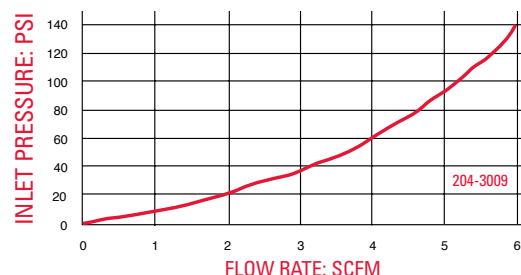
- Polycarbonate Bowl Kit w/ Standard Drain:** 23520
- Aluminum Bowl Kit w/ Manual Drain:** 23533
- Polycarbonate Bowl Kit w/ Impulse Drain:** 23521
- Aluminum Bowl Kit w/ Impulse Drain:** 23534
- Elements:**
- 0.3 Micron:** 23543
 - 0.01 Micron:** 23592



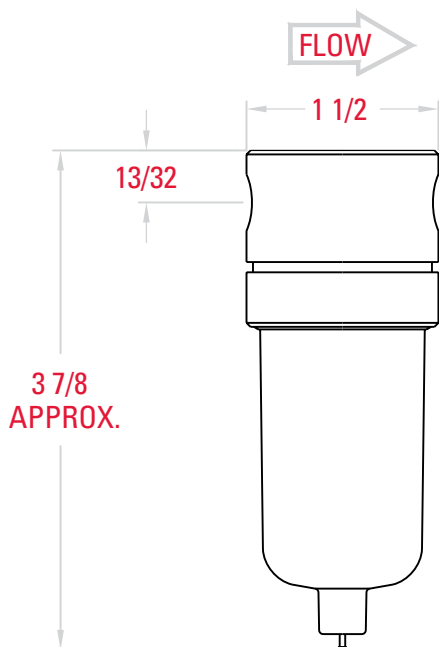
Materials of Construction

- Head:** Anodized Machined Aluminum
- Bowl:** Polycarbonate or Machined Aluminum
- Element Shield:** Polycarbonate
- Element Retainer:** Celonese
(Polypropylene available)
- Element:** Borosilicate Glass Fiber
- Seals:** Buna-N (Fluorocarbon available)
- Drain:**
- Manual: Nickel Plated Brass
 - Impulse: Machined Aluminum and Brass
- Bowl Guard:** Stainless Steel

Flow Characteristics



Dimensions



Ordering Information

204-3009-2

Bowl Type	
Polycarbonate	0
Polycarbonate w/ Bowl Guard	1
Metal	2

Elements	
0.3 micron	9
0.01 micron	8

Pipe Size	
1/8"	1
1/4"	2

OPTIONS	
Anodizing	
Green (Standard)	Blank
Blue	A1
Black	A2
Clear	A3
Red	A5
Yellow	A6
Gold	A7
Purple	A8
Drain	
Impulse	D
Seals	
Buna-N (Standard)	Blank
Fluorocarbon (Viton)	V
Mounting Hole	
Two 1/4-20 mounting holes on top surface	MH
1/4 NPT mounting hole on side	MS

COALESCING FILTERS: 204-2009 Compact Series



Features

- Removes liquid and sub-micron solids
- 0.3 Micron element removes 99.97% of all moisture and dirt from air
- Available with manual, float or impulse drain
- Pressure drop indicator available to show when element needs to be changed
- Tie-Rod construction for maximum stability
- Green anodized housing (other colors available)

Operating Specifications

- Bowl Capacity:** 5 oz.
Maximum Pressure Ratings:
 - Aluminum Bowl: 250 PSIG
 - Polycarbonate Bowl: 150 PSIG
Temperature Ratings:
 - Aluminum Bowl: 0-200°F
 - Polycarbonate Bowl: 0-120°F

Accessories & Kits

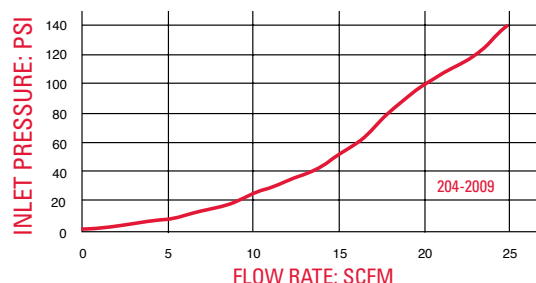
- Polycarbonate Bowl Kit:** 22520
Aluminum Bowl Kit: 22537
Aluminum Bowl Kit w/ Sight Level (Polycarbonate/Trogamid): 21559-P / 21559-T
Elements: 0.3 Micron: 21545
Pressure Drop Indicator Assembly: 21542
Pressure Drop Indicator Seal Kit: 21543



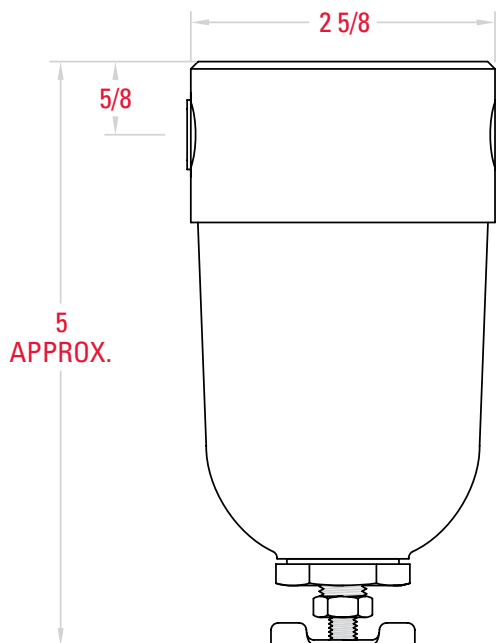
Materials of Construction

- Head:** Anodized Machined Aluminum
Bowl: Polycarbonate or Machined Aluminum
Element Retainer: Machined Aluminum
Element: Borosilicate Glass Fiber with Urethane Endcaps
Seals: Buna-N (Fluorocarbon available)
Drain:
 - Manual: Brass and Plated Steel
 - Float: Anodized Aluminum housing w/ Acetal and Stainless Steel Float Mechanism
 - Impulse: Machined Aluminum, Brass, Buna-N (Fluorocarbon available)
Bowl Guard: Stainless Steel
Sight Level: Polycarbonate (trogamid available)
Pressure Drop Indicator: Polyethylene, Phosphate Coated Steel Retaining Ring, Polycarbonate Dome (Trogamid Available)
Stud: Brass

Flow Characteristics



Dimensions



Ordering Information

204-2009-2

Bowl Type	
Polycarbonate	0
Polycarbonate w/ Bowl Guard	1
Metal	2
Metal w/ Sight Level	3

Pipe Size	
1/4"	2
3/8"	3
1/2"	4

OPTIONS	
Anodizing	
Green (Standard)	Blank
Blue	A1
Black	A2
Clear	A3
Red	A5
Yellow	A6
Gold	A7
Purple	A8
Drain	
Impulse	D
Float	F
Seals	
Buna-N (Standard)	Blank
Fluorocarbon (Viton)	V
Mounting Hole	
Two 1/4-20 mounting holes on top surface	MH
1/4 NPT mounting hole on side	MS
Sight Levels	
Trogamid	T

COALESCING FILTERS: 205-1009 Standard Series



Manual Drain



Automatic Drain

Features

- Removes liquid and sub-micron solids
- 0.3 Micron element removes 99.97% of dirt and oil from air
- 0.01 Micron element removes 99.995% of dirt and oil from air
- Available with manual, internal float, or external impulse drain
- Pressure drop indicators available to show when element needs to be changed
- Threaded bowl for ease of maintenance
- Standard green anodized filter housing (other colors available)

Operating Specifications

Bowl Capacity: 8 oz.

Maximum Pressure Ratings:

- Aluminum Bowl: 250 PSIG
- Polycarbonate Bowl: 150 PSIG

Temperature Ratings:

- Aluminum Bowl: 0-200°F
- Polycarbonate Bowl: 0-120°F

Materials of Construction

Head: Anodized Machined Aluminum

Bowl: Polycarbonate or Anodized Machined Aluminum

Stud: Brass

Element: Borosilicate Glass Fiber

Element Retainer: Anodized Aluminum

Seals: Buna-N (Fluorocarbon available)

Drain:

- Manual: Plastic
- Float: Acetal and Stainless Steel
- Impulse: Machined Aluminum, Brass, Buna-N (Fluorocarbon available)

Bowl Guard: Stainless Steel

Sight Level: Polycarbonate (Trogamid available)

Pressure Drop Indicator: Polyethylene, Phosphate Coated Steel Retaining Ring, Polycarbonate Dome (Trogamid Available)

Accessories & Kits

Polycarbonate Bowl Kit: 21504

Polycarbonate Bowl Kit w/ Float Drain: 21572

Metal Bowl Kit w/ Float Drain: 21583

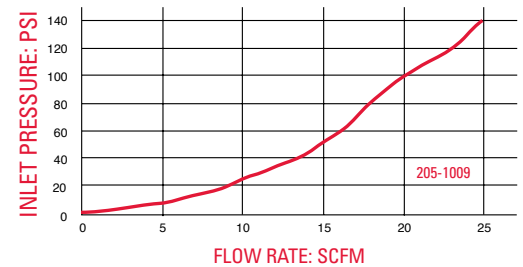
Metal Bowl Kit: 21580

Metal Bowl Kit (Polycarbonate/ Trogamid): 21581-P / 21581-T

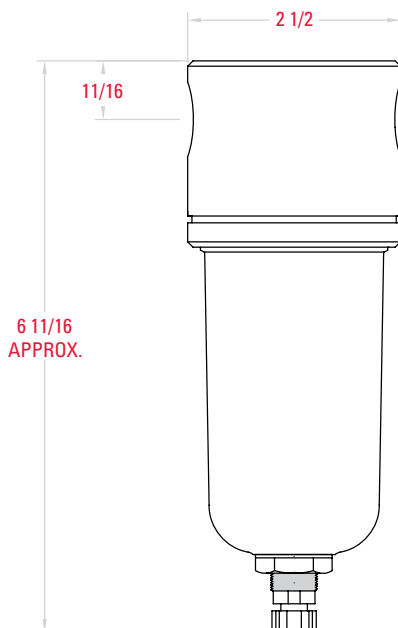
Pressure Drop Indicator Assembly: 21542

Elements: 0.3 Micron: 21720 0.01 Micron: 21762

Flow Characteristics



Dimensions



Ordering Information

205-1009-4

Bowl Type	
Polycarbonate	0
Polycarbonate w/ Bowl Guard	1
Metal	2
Metal w/ Sight Level	3

Pressure Drop Indicator	
Without PDI	0
With PDI	8

Elements	
0.3 micron	9
0.01 micron	8

Pipe Size	
1/4"	2
3/8"	3
1/2"	4

OPTIONS

Anodizing	
Green (Standard)	Blank
Blue	A1
Black	A2
Clear	A3
Red	A5
Yellow	A6
Gold	A7
Purple	A8

Drain	
Manual	Blank
Impulse	D
Float	F

Seals	
Buna-N (Standard)	Blank
Fluorocarbon (Viton)	V

Mounting Hole	
Two 1/4-20 mounting holes on top surface	MH
1/4 NPT mounting hole on side	MS

Sight Levels	
Trogamid	T

COALESCING FILTERS: 204-1009 Standard Series



Manual Drain



Automatic Drain

Features

- Removes liquid and sub-micron solids
- 0.3 Micron element removes 99.97% of dirt and oil from air
- 0.01 Micron element removes 99.995% of dirt and oil from air
- Available with manual, float or impulse drain
- Pressure drop indicator available to show when element needs to be changed
- Tie-Rod construction for maximum stability
- Standard green anodized filter housing (other colors available)

Operating Specifications

Bowl Capacity: 8 oz.

Maximum Pressure Ratings:

- Aluminum Bowl: 250 PSIG
- Polycarbonate Bowl: 150 PSIG

Temperature Ratings:

- Aluminum Bowl: 0-200°F
- Polycarbonate Bowl: 0-120°F

Accessories & Kits

Polycarbonate Bowl Kit: 21557

Aluminum Bowl: 21558

Aluminum Bowl Kit w/ Sight Level (Polycarbonate/Trogamid): 21559-P / 21559-T

Pressure Drop Indicator Assembly: 21542

Elements:

0.3 Micron: 21545

0.01 Micron: 21751

Materials of Construction

Head: Anodized Machined Aluminum

Bowl: Polycarbonate or Anodized Machined Aluminum

Stud: Brass

Element: Borosilicate Glass Fiber with Urethane Endcaps

Element Retainer: Anodized Aluminum

Retainer Nut: Nylon

Seals: Buna-N (Fluorocarbon available)

Base Nut Assembly: Anodized Machined Aluminum

Drain:

- Manual: Brass

- Float: Anodized Aluminum housing w/ Acetal and Stainless Steel Float Mechanism

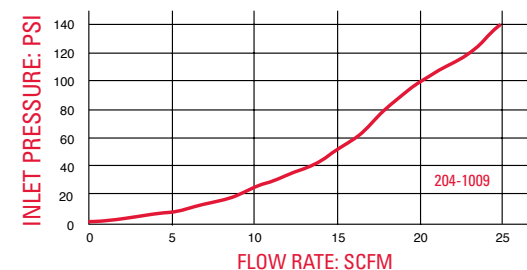
- Impulse: Machined Aluminum, Brass, Buna-N (Fluorocarbon available)

Bowl Guard: Stainless Steel

Sight Level: Polycarbonate (Trogamid available)

Pressure Drop Indicator: Polyethylene, Phosphate Coated Steel Retaining Ring, Polycarbonate Dome (Trogamid Available)

Flow Characteristics



Dimensions



Ordering Information

204-1009-4

Bowl Type	
Polycarbonate	0
Polycarbonate w/ Bowl Guard	1
Metal	2
Metal w/ Sight Level	3

Pressure Drop Indicator	
Without PDI	0
With PDI	8

Elements	
0.3 micron	9
0.01 micron	8

Pipe Size	
1/4"	2
3/8"	3
1/2"	4

OPTIONS

Anodizing	
Green (Standard)	Blank
Blue	A1
Black	A2
Clear	A3
Red	A5
Yellow	A6
Gold	A7
Purple	A8
Drain	
Manual	Blank
Impulse	D
Float	F
Seals	
Buna-N (Standard)	Blank
Fluorocarbon (Viton)	V
Mounting Hole	
Two 1/4-20 mounting holes on top surface	MH
1/4 NPT mounting hole on side	MS
Sight Levels	
Trogamid	T

COALESCING FILTERS: 204-4009 Heavy Duty Series



Manual Drain



Automatic Drain

Features

- Removes liquid and sub-micron solids
- 0.3 Micron element removes 99.97% of all moisture and dirt from air
- 0.01 Micron element removes 99.995% of moisture oil and dirt from air
- Available with manual, float or impulse drain
- Pressure Drop Indicator available to show when element needs to be changed
- Tie-Rod construction
- Green anodized filter housing standard (other colors available)

Operating Specifications

- Bowl Capacity:** 32 oz.
Maximum Pressure Ratings:
 - Aluminum Bowl: 250 PSIG
 - Polycarbonate Bowl: 150 PSIG
Temperature Ratings:
 - Aluminum Bowl: 0-200°F
 - Polycarbonate Bowl: 0-120°F

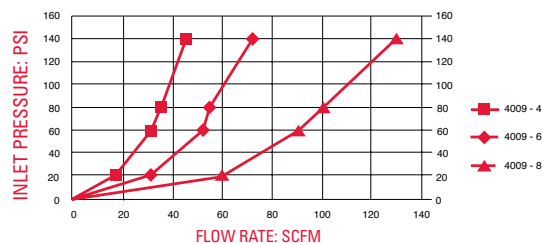
Materials of Construction

- Head:** Anodized Machined Aluminum
Bowl: Polycarbonate or Anodized Machined Aluminum
Base (Polycarbonate Bowl Only): Anodized Aluminum
Stack: Anodized Aluminum **Stud:** Brass
Element: Borosilicate Glass Fiber with Urethane End-caps
Element Retainer: Anodized Machined Aluminum
Element Retainer Nut: Nylon
Base Nut: Anodized Machined Aluminum
Seals: Buna-N (Fluorocarbon available)
Drain: - Manual: Brass and Plated Steel
 - Float: Anodized Aluminum housing w/ Acetal and Stainless Steel Float Mechanism
 - Impulse: Machined Aluminum, Brass, and Buna-N (Fluorocarbon Available)
Bowl Guard: Stainless Steel
Sight Level: Polycarbonate (Trogamid available)
Pressure Drop Indicator: Polyethylene, Phosphate Coated Steel Retaining Ring, Polycarbonate Dome (Trogamid Available)

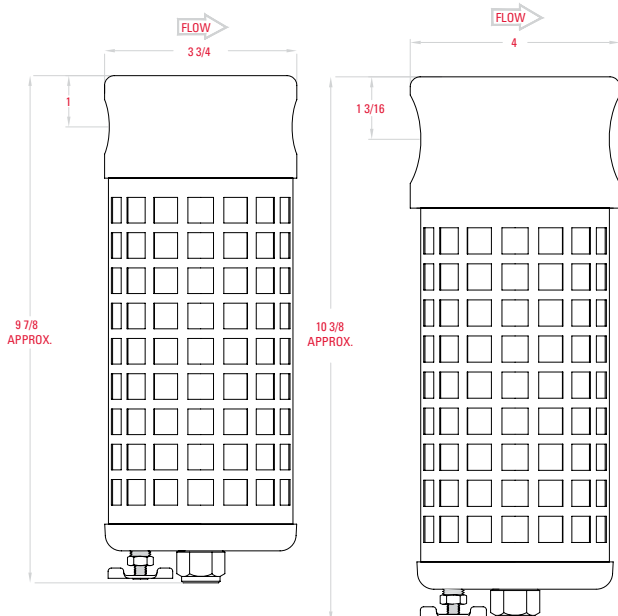
Accessories & Kits

	1/2" (4)	3/4" & 1" (6, 8)
Polycarbonate Bowl Kit:	24557	24422
Aluminum Bowl Kit:	24558	24421
Aluminum Bowl Kit w/ Polycarbonate Sight Level:	24559-P	24423-P
Aluminum Bowl Kit w/ Trogamid Sight Level:	24559-T	24423-T
Pressure Drop Indicator Assembly: 21542		
Elements: 0.3 Micron: 24547 0.01 Micron: 24751		

Flow Characteristics



Dimensions



Ordering Information

204-4009-6

Bowl Type	
Polycarbonate	0
Polycarbonate w/ Bowl Guard	1
Metal	2
Metal w/ Sight Level	3

Pressure Drop Indicator	
Without PDI	0
With PDI	8

Elements	
0.3 micron	9
0.01 micron	8

Pipe Size	
1/2"	4
3/4"	6
1"	8

OPTIONS

Anodizing	
Green (Standard)	Blank
Blue	A1
Black	A2
Clear	A3
Red	A5
Yellow	A6
Gold	A7
Purple	A8

Drain	
Impulse (External)	D
Float (Internal)	F

Seals	
Buna-N (Standard)	Blank
Fluorocarbon (Viton)	V

Mounting Hole	
Two 1/4-20 mounting holes on top surface	MH
1/4 NPT mounting hole on side	MS

Sight Levels	
Trogamid	T

COALESCING FILTERS: 204-6209 Heavy Duty Series



Features

- Removes liquid and sub-micron solids
- 0.3 Micron element removes 99.97% of all oil and dirt from air
- 0.01 Micron element removes 99.995% of all oil and dirt from air
- Available with manual, float or impulse drain
- Pressure drop indicator available to show when element needs to be changed
- High flow with 64 oz. bowl capacity
- Standard green anodized filter housing (other colors available)

Operating Specifications

- Bowl Capacity:** 64 oz.
Maximum Pressure Ratings:
 - Aluminum Bowl: 250 PSIG
 - Polycarbonate Bowl: 150 PSIG
Temperature Ratings:
 - Aluminum Bowl: 0-200°F
 - Polycarbonate Bowl: 0-120°F

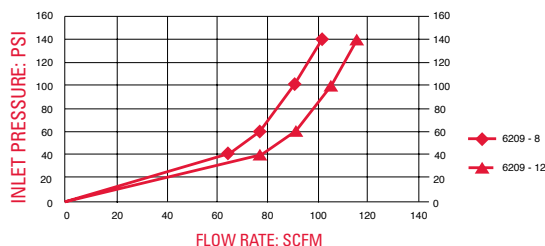
Materials of Construction

- Head, Bowl, Base & Stack:** Anodized Machined Aluminum
Stud: Brass
Element: Borosilicate Glass Fiber with Urethane Endcaps
Element Retainer: Anodized Machined Aluminum
Element Retainer Nut: Nylon
Base Nut: Anodized Machined Aluminum
Seals: Buna-N (Fluorocarbon available)
Drain:
 - Manual: Brass and Plated Steel
 - Float: Acetal and Stainless Steel
 - Impulse: Machined Aluminum, Brass, and Buna-N (Fluorocarbon available)
Sight Level: Polycarbonate (trogamid available)
Pressure Drop Indicator: Polyethylene, Phosphate Coated Steel Retaining Ring, Polycarbonate Dome (Trogamid Available)

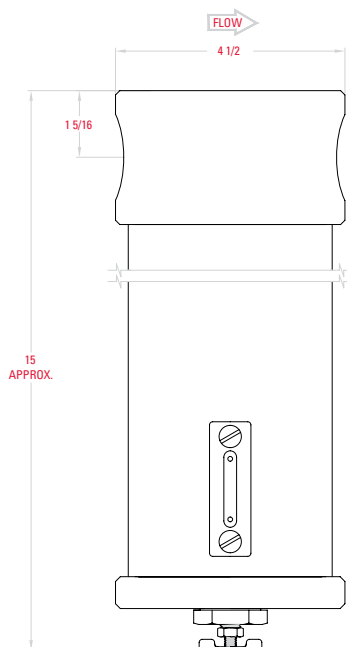
Accessories & Kits

- Seal Kit:** 26565
Sight Levels: 21538 (P) 21537 (T)
Pressure Drop Indicator Assembly: 21542
Pressure Drop Indicator Seal Kit: 21543
Elements: 0.3 Micron: 26550 **0.01 Micron:** 26751
Metal Bowl Kit: 26558
Metal Bowl Kit w/ Sight Levels: 26559-P / 26559-T

Flow Characteristics



Dimensions



Ordering Information

204-6209-8

Bowl Type	
Metal	2
Metal w/ Sight Level	3

Pressure Drop Indicator	
Without PDI	0
With PDI	8

Elements	
0.3 micron	9
0.01 micron	8

Pipe Size	
1"	8
1 1/4"	10
1 1/2"	12

OPTIONS	
Anodizing	
Green (Standard)	Blank
Blue	A1
Black	A2
Clear	A3
Red	A5
Yellow	A6
Gold	A7
Purple	A8
Drain	
Impulse (External)	D
Float (Internal)	F
Seals	
Buna-N (Standard)	Blank
Fluorocarbon (Viton)	V
Mounting Hole	
Two 1/4-20 mounting holes on top surface	MH
1/4 NPT mounting hole on side	MS
Sight Levels	
Trogamid	T

COALESCING FILTERS: 201-7208/8208 Series



Manual Drain



Automatic Drain

Features

- High flow with minimal pressure drop
- 1.5PSI ΔP at rated flow
- Available with manual or float drain

Operating Specifications

Port Sizes: 1-1/4", 1-1/2", 2"
Thread Styles: NPT, BSPT, BSPP
Flow Capacity: 400 & 700 SCFM @ 100 PSI
Maximum Temperature: 175° F
Maximum Pressure: 200 PSIG
Filter Capacity: 0.01 Micron
Differential Pressure: <1.5 PSI ΔP at Rated Flow

Materials of Construction

Housing: Aluminum
Stud: Stainless Steel
Indicator: Nylon
Seals: Buna-N
Elements: Aluminum and Stainless Steel
Assembly Screws: Black Oxide Plated Steel
Drain (20-404): Anodized Aluminum, Acetal, and Stainless Steel

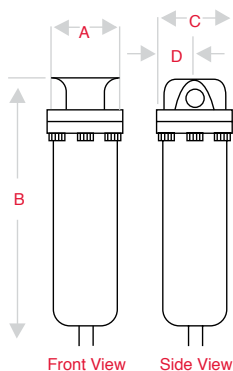
Accessories & Kits

Bowl O-Ring (400/700): 27001
Float Drain: 20-404
Differential Indicator (400/700): 27002
Manual Drain: 27003

Replacement Elements:

7208: 27004
8208: 28001

Dimensions



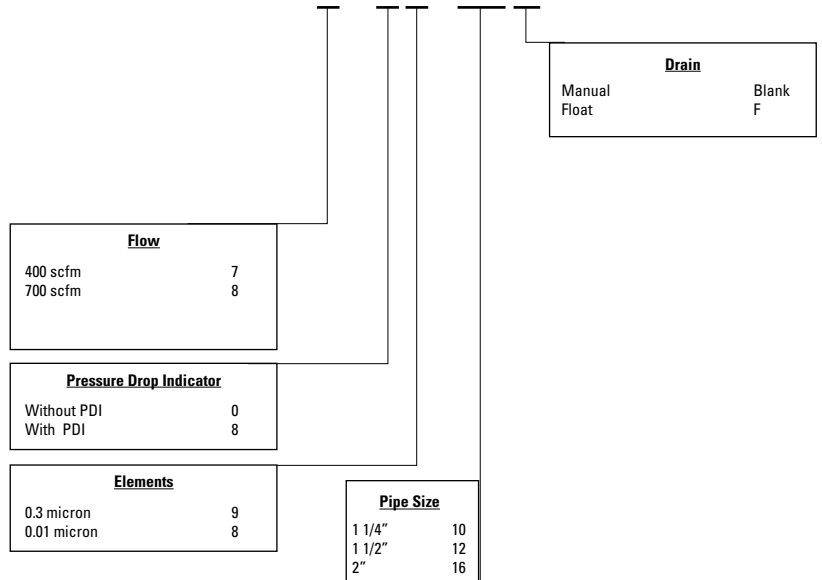
Metal Bowl, Manual Drain
A: 7.8 B: 27.5 C: 7.8 D: 3.9

Metal Bowl, Float Drain
A: 7.8 B: 32.0 C: 7.8 D: 3.9

Metal Bowl, Float Drain w/ Indicator
A: 7.8 B: 33.0 C: 7.8 D: 3.9

Ordering Information

201-7208-10F



COALESCING FILTERS: 201-9208 Series



Features

- High flow with minimal pressure drop
- 1.5PSI Δ P at 1200 scfm
- Available with manual or float drain

Operating Specifications

Port Sizes: 3"
Thread Styles: NPT, BSPT, BSPP
Flow Capacity: 1200 SCFM @ 100 PSI
Maximum Temperature: 175° F
Maximum Pressure: 200 PSIG
Filter Capacity: 0.01 Micron
Differential Pressure: 1.5 PSI Δ P at Rated Flow

Accessories & Kits

Bowl O-Ring (1200): 24001
Float Drain: 20-404
Manual Drain: 29002
Replacement Element: 29000

Materials of Construction

Housing: Aluminum
Stud: Stainless Steel
Indicator: Nylon
Seals: Buna-N
Elements: Aluminum and Stainless Steel
Assembly Screws: Black Oxide Plated Steel
Drain (20-404): Anodized Aluminum, Acetal and Stainless Steel

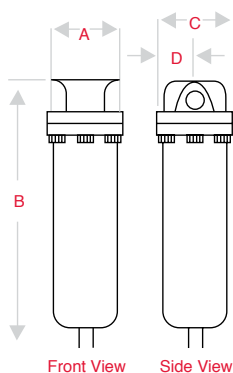


Manual Drain



Automatic Drain

Dimensions



Metal Bowl, Manual Drain

A: 8.0 B: 39.5 C: 8.0 D: 4.0

Metal Bowl, Float Drain

A: 8.0 B: 45.0 C: 8.0 D: 4.0

Ordering Information

201-9208-24F

Drain

Manual Float	Blank F
-----------------	------------

Pressure Drop Indicator

Without PDI	0
With PDI	8

Pipe Size

3"	24
----	----