



Filter/Regulators

Optional Components

Drains: Manual drains are standard. Impulse drains ("D") or float drains ("F") available, depending on product family.

Anodizing: Units can be anodized any of eight colors. (Colors available: blue, black, clear, green, red, yellow, gold and purple).

Pipe Size: 1/8" - 1/2" NPT

Bowl Options: Polycarbonate bowls, aluminum bowls, sight levels and bowl guards available depending on the product family.

Dense Pack Element Design

Our unique element design provides multiple points of impaction throughout the cross section of the element. This guarantees that the maximum amount of particulate is captured while also ensuring minimal pressure drop over the long life of the element.

Monnier filter/regulators are available in a variety of sizes and are designed to reduce the footprint of the air preparation assembly.

Particulate and coalescing flow paths and elements are available. Care must be taken when selecting the appropriate filter type.

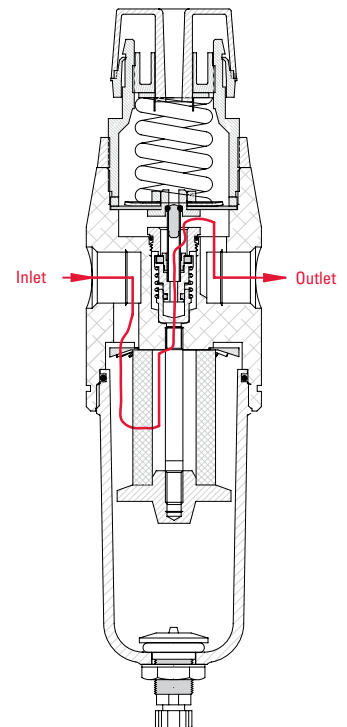
All filter/regulators have the same options as the corresponding individual filters and regulators.

Specifications

Maximum Pressure: Polycarbonate Bowls: 150 PSI
Metal Bowls: 250 PSI

TABLE OF CONTENTS

3000 Miniature Series (Particulate)	1/8 & 1/4	2
3009 Miniature Series (Coalescing)	1/8 & 1/4	3
C01-1000/2000 Series (Particulate)	1/4, 3/8 & 1/2	4
C01-1009 Standard Series (Coalescing)	1/4, 3/8 & 1/2	5
B05-1000 Standard Series (Particulate)	1/4, 3/8 & 1/2	6
C05-1000 Standard Series (Particulate)	1/4, 3/8 & 1/2	7
C05-1009 Standard Series (Coalescing)	1/4, 3/8 & 1/2	8



Caution

Bowl guards are recommended on all polycarbonate bowl filters! All bowl guards are made of heavy-duty stainless steel.

Warning

Polycarbonate bowls can be damaged and may fail if they are exposed to or come in contact with solvents, strong alkalis, fire resistant and/or synthetic compressor lubricants.

WARRANTY: Monnier, Inc. warrants each product against defects in material and workmanship for a period of one year from the date of manufacture providing its use was in accordance with Monnier, Inc. recommendations. If the product fails to perform as warranted, Monnier, Inc. will, at its option, repair or replace the product free of charge. The company will not be liable for incidental or consequential damages. We make no other warranty, expressed or implied, including warranties of merchantability or fitness for a particular purpose.

FILTER REGULATORS: 3000 Miniature Series (Particulate)



Features

- Filter and regulator consolidated into one assembly
- Reduces footprint of air prep assembly
- Polycarbonate or aluminum bonnets available
- Polycarbonate or aluminum bowls available
- Manual or impulse drains available
- Preset and tamperproof options

Operating Specifications

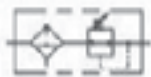
- Bowl Capacity:** 1 oz.
- Maximum Pressure Ratings:**
- Metal Bowl: 250 PSI
 - Polycarbonate Bowl: 150 PSI
- Temperature Ratings:**
- Metal Bowl: 0-200°F
 - Polycarbonate Bowl: 0-120°F

Materials of Construction

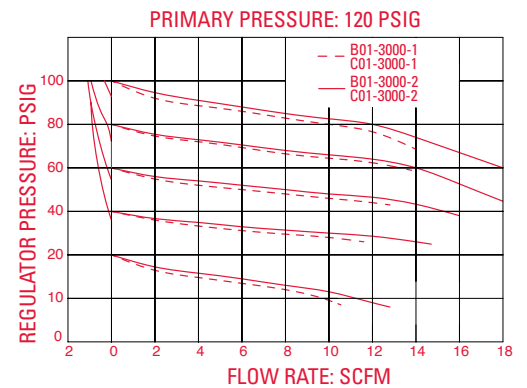
- Body:** Machined Aluminum
Bonnet: Aluminum or Polycarbonate
Bowl: Polycarbonate or Machined Aluminum
Seat: Nylon **Poppet Spring:** Stainless Steel
Whirl Disc: Aluminum
Element (20 and 10 Micron): Phenolic Impregnated Cellulose
Element (5 Micron): Polypropylene
Element Retainer: Celanese
Poppet Valve: Buna-N (Fluorocarbon Available)
Seat: Nylon **Locking Nut:** Zinc Plated Steel
Compression Spring: Spring Steel
Adjustment Screw: Zinc Plated Steel
Diaphragm Assembly: Steel, Brass, Buna-N (Fluorocarbon available)
Drain: • Manual: Brass and Plated Steel
 • Impulse: Machined Aluminum, Zinc Plated Steel, and Buna-N (Fluorocarbon Available)

Accessories & Kits

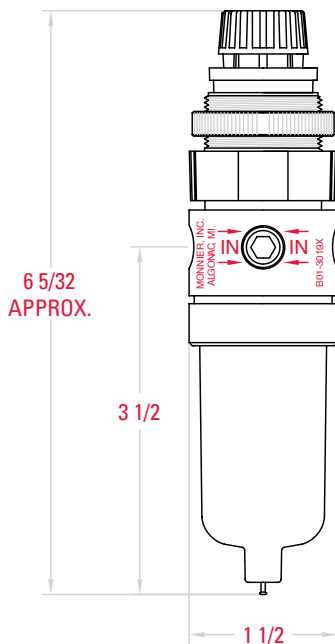
- Elements:** 20 Micron: 23004 - 10 Micron: 23025
 - 5 Micron: 23040
- Regulator Repair Kits:**
- Relieving: 13532 - Non-Relieving: 13533
- Bowl Kit w/ Manual Drain:**
- Polycarbonate: 23520 - Aluminum: 23533
- Bowl Kit w/ Impulse Drain:**
- Polycarbonate: 23521 - Aluminum: 23534
- Bracket Kit:** - Polycarbonate Bonnet: 13536
 - Aluminum Bonnet: 13534
- Mounting Nut Only:** - Polycarbonate Bonnet: 13133
 - Aluminum Bonnet: 13025



Flow Characteristics



Dimensions



Ordering Information

B01-3000-2

BONNET		BOWL TYPE		PRESSURE		ELEMENTS		PIPE SIZE		OPTIONS	
Polycarbonate	B	Polycarbonate	0	10-130 Relieving	0	20 Micron	0	1/8"	1	Anodizing No Anodizing Blank Blue A1 Black A2 Clear A3 Green A4 Red A5 Yellow A6 Gold A7 Purple A8	
Alluminum	C	Polycarbonate w/ Bowl Guard	1	10-130 Non-Relieving	1	10 Micron	1	1/4"	2	Drain Manual Blank Impulse D	
		Metal	2	5-60 Relieving	2	5 Micron	2			Seals Buna-N Blank Fluorocarbon V	
				5-60 Non-Relieving	3					Attachment Parts Bracket B Gauge G Knob K	
				3-30 Relieving	4					Tamperproof Tamperproof T Preset P Preset and Tamperproof 001 PT Preset and Tamperproof 002 PTS	
				3-30 Non-Relieving	5						
				20-250 Relieving	6						
				20-250 Non-Relieving	7						
				1-10 Relieving	8						
				1-10 Non-Relieving	9						

FILTER REGULATORS: 3009 Miniature Series (Coalescing)



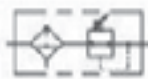
Features

- Coalescing filter and regulator consolidated into one assembly
- Reduces footprint of air prep assembly
- Polycarbonate or aluminum bonnets available
- Polycarbonate or aluminum bowls available
- Manual or Impulse drains available
- Preset and Tamperproof options
- Gauges available
- Available w/ 0.3 or 0.01 Micron elements
- Body cones green anodized as standard (other colors available)

Operating Specifications

- Bowl Capacity:** 1 oz.
Maximum Pressure Ratings:
 - Metal Bowl: 250 PSI
 - Polycarbonate Bowl: 150 PSI
Temperature Ratings: - Metal Bowl: 0-200°F
 - Polycarbonate Bowl: 0-120°F

Accessories & Kits

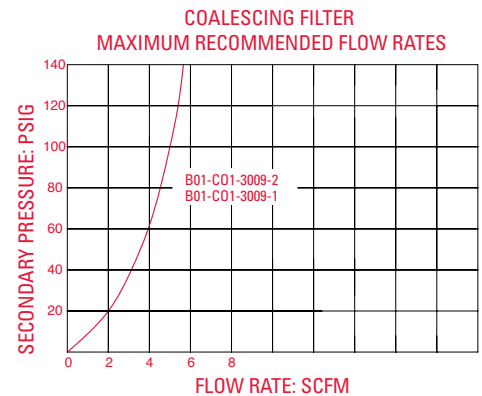


- Elements:** - 0.3 Micron: 23543 - 0.01 Micron: 23592
Regulator Repair Kits:
 - Relieving: 13532 - Non-Relieving: 13533
Bowl Kit w/ Manual Drain:
 - Polycarbonate: 23520 - Aluminum: 23533
Bowl Kit w/ Impulse Drain:
 - Polycarbonate: 23521 - Aluminum: 23534
Bracket Kit: - Polycarbonate Bonnet: 13536
 - Aluminum Bonnet: 13534
Mounting Nut Only: - Polycarbonate Bonnet: 13133
 - Aluminum Bonnet: 13025

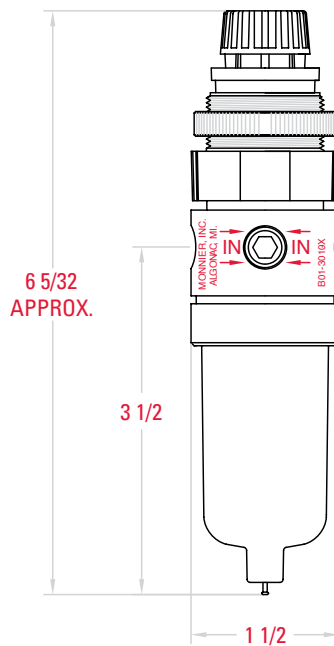
Materials of Construction

- Body:** Anodized Machined Aluminum
Bonnet: Machined Aluminum or Polycarbonate
Spring: Stainless Steel
Diaphragm Gasket: Stainless Steel
Valve Seat: Brass
Poppet Valve: Buna-N (Fluorocarbon Available)
Element (0.3 and 0.01 Micron): Borosilicate Glass Fiber
Element Retainer: Celanese
Element Shield: Polycarbonate
Adaptor Outlet: Machined Aluminum (Impulse Drain)
Seat: Nylon
Piston Spring: Stainless Steel
Valve Seat: Buna-N (Fluorocarbon Available)
Drain: • Manual: Zinc Plated Brass
 • Impulse: Machined Aluminum and Zinc Plated Steel

Flow Characteristics



Dimensions



Ordering Information

B01-3009-2

Bonnet	
Polycarbonate	B
Aluminum	C

Bowl Type	
Polycarbonate	0
Polycarbonate w/ Bowl Guard	1
Metal	2

Pressure	
10-130 Relieving	0
10-130 Non-Relieving	1
5-60 Relieving	2
5-60 Non-Relieving	3
3-30 Relieving	4
3-30 Non-Relieving	5
20-250 Relieving (Aluminum Bonnet Only)	6
20-250 Non-Relieving (Aluminum Bonnet Only)	7
1-10 Relieving	8
1-10 Non-Relieving	9

Elements	
0.3 Micron	9
0.01 Micron	8

Pipe Size	
1/8"	1
1/4"	2

OPTIONS

Anodizing		
Green		Blank
Blue		A1
Black		A2
Clear		A3
Red		A5
Yellow		A6
Gold		A7
Purple		A8
Drain		
Manual		Blank
Impulse		D
Seals		
Buna-N		Blank
Fluorocarbon		V
Tamperproof		
Tamperproof		T
Preset		P
Preset and Tamperproof B01		PT
Preset and Tamperproof C01		PTS
Attachment Parts		
Bracket		B
Gauge		G
Knob		K

FILTER REGULATORS: C01-1000/2000 Series



Features

- Filter and regulator consolidated into one assembly
- Reduces footprint of air prep assembly
- Tie-rod construction for maximum stability
- Polycarbonate or aluminum bowls available
- Manual, float or impulse drains available
- Preset and tamperproof options
- 1000 Series has a greater bowl capacity to accommodate a larger sump area
- 2000 Series has a compact design for applications where space is at a premium

Operating Specifications

- Bowl Capacity:** 5 oz. or 8 oz.
Maximum Pressure Ratings:
 - Metal Bowl: 250 PSI
 - Polycarbonate Bowl: 150 PSI
Temperature Ratings:
 - Metal Bowl: 0-200°F
 - Polycarbonate Bowl: 0-120°F

Materials of Construction

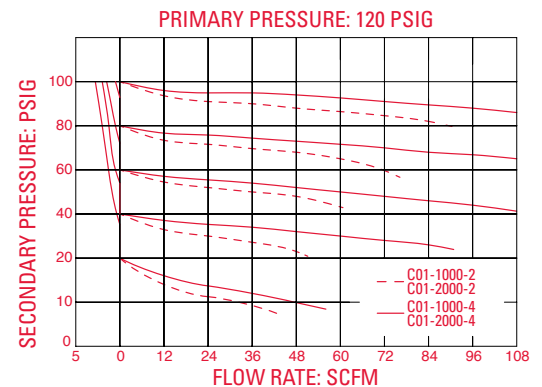
- Body:** Machined Aluminum
Bonnet: Aluminum **Spring Guide:** Zinc Plated Steel
Compression Spring: Spring Steel
Diaphragm Gasket: Stainless Steel **Valve Seat:** Brass
Poppet Valve Spring: Stainless Steel
Seals: Buna-N (Fluorocarbon available)
Whirl Disc: Acetal
Element (20, 10, 3 Micron): Phenolic Impregnated Acrylic Fibers
Stud: Zinc Plated Steel **Baffle Plate:** Acetal
Base Nut: Aluminum
Drain: Brass and Zinc Plated Steel
Bowl: Polycarbonate or Machined Aluminum
Bowl Guard: Stainless Steel
Drain: - Manual: Brass and Plated Steel
 - Float: Anodized Aluminum w/ Acetal and Stainless Steel Float Mechanism
 - Impulse: Machined Aluminum, Brass, and Buna-N



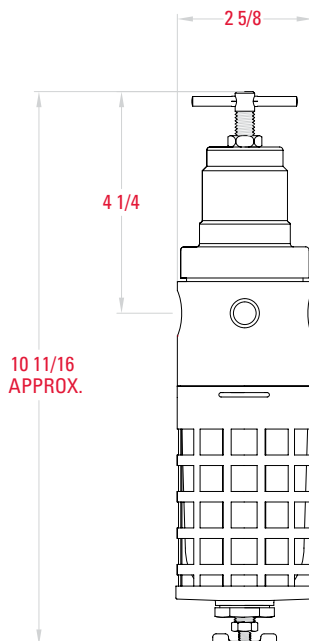
Accessories & Kits

- (2000 Series)** 20 Micron: 22205 - 10 Micron: 22033
 - 3 Micron: 22032
(1000 Series) 20 Micron: 21205 - 10 Micron: 21036
 - 3 Micron: 21037
Regulator Kits: Relieving: 11531 Relieving (20-250): 11538 Non-Relieving: 11532 Relieving (20-250): 11539
Bowl Kits:
- | | Poly. | Alum. | Alum. w/Sight Level |
|-------------|-------|-------|---------------------|
| 2000 Series | 22520 | 22537 | 22521-P OR 22521-T |
| 1000 Series | 21557 | 21558 | 21559-P OR 21559-T |

Flow Characteristics



Dimensions



Ordering Information

C01-1000-2

Bowl Size	
5 oz.	2
8 oz.	1

Bowl Type	
Polycarbonate	0
Polycarbonate w/ Bowl Guard	1
Metal	2
Metal w/Sight Level	3

Pressure	
10-130 Relieving	0
10-130 Non-Relieving	1
5-60 Relieving	2
5-60 Non-Relieving	3
3-30 Relieving	4
3-30 Non-Relieving	5
20-250 Relieving	6
20-250 Non-Relieving	7

Elements	
20 Micron	0
10 Micron	1
3 Micron	2

Pipe Size	
1/4"	2
3/8"	3
1/2"	4

OPTIONS

Anodizing		
No Anodizing		Blank
Blue		A1
Black		A2
Clear		A3
Green		A4
Red		A5
Yellow		A6
Gold		A7
Purple		A8
Drain		
Manual		M
Impulse		D
Float		F
Seals		
Buna-N		Blank
Fluorocarbon		V
Tamperproof		
Tamperproof		T
Preset		P
Preset and Tamperproof		PT
Attachment Parts		
Bracket		B
Gauge		G
Knob		K

FILTER REGULATORS: C01-1009 Series

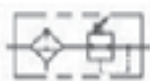


Features

- Coalescing filter and regulator consolidated into one assembly
- Reduces footprint of air prep assembly
- Polycarbonate or Aluminum Bowls available
- Manual, Float or Impulse drains available
- Preset and Tamperproof options
- Gauges available
- Body comes green anodized as standard (other colors available)
- 0.3 and 0.01 Micron Elements available

Operating Specifications

- Bowl Capacity:** 8 oz.
- Maximum Pressure Ratings:**
- Metal Bowl: 250 PSI
 - Polycarbonate Bowl: 150 PSI
- Temperature Ratings:**
- Metal Bowl: 0-200°F
 - Polycarbonate Bowl: 0-120°F



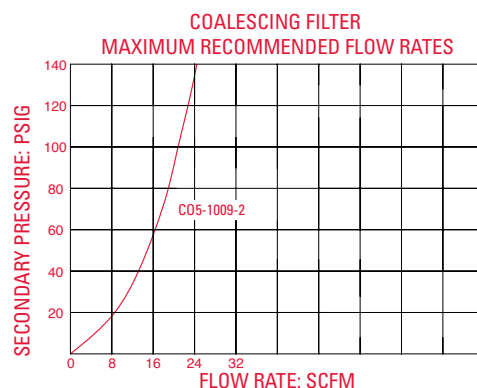
Accessories & Kits

- Elements:** - 0.3 Micron: 21545 - 0.01 Micron: 21751
- Regulator Repair Kits:**
- Relieving: 11531 Relieving(20-250): 11538
 - Non-Relieving: 11532 Relieving (20-250): 11539
- Bowl Kits:** Polycarbonate Bowl: 21557
- Aluminum Bowl: 21558
- Aluminum Bowl w/ sight level: 21559-P (Polycarbonate) or 21559-T (Trogamid)

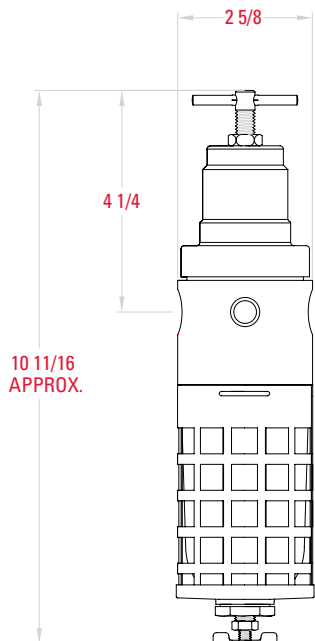
Materials of Construction

- Body:** Anodized Machined Aluminum
- Bonnet:** Aluminum
- Spring Guide:** Mild Steel
- Compression Spring:** Spring Steel
- Diaphragm Gasket:** Stainless Steel
- Valve Seat:** Brass
- Poppet Valve Spring:** Stainless Steel
- Seals:** Buna-N (Fluorocarbon available)
- Whirl Disc:** Copolymer Acetal
- Element:** Borosilicate glass fibers
- Stud:** Zinc Plated Steel
- Baffle Plate:** Acetal **Base Nut:** Aluminum
- Bowl:** Polycarbonate or Aluminum
- Bowl Guard:** Stainless Steel
- Drain:** - Manual: Brass and Plated Steel
- Float: Anodized Aluminum w/ Acetal and Stainless Steel Float Mechanism
- Impulse: Machined Aluminum, Brass, and Buna-N

Flow Characteristics



Dimensions



Ordering Information

C01-1009-2

Bowl Type	
Polycarbonate	0
Polycarbonate w/ Bowl Guard	1
Metal	2
Metal w/ Sight Level	3

Pressure	
10-130 Relieving	0
10-130 Non-Relieving	1
5-60 Relieving	2
5-60 Non-Relieving	3
3-30 Relieving	4
3-30 Non-Relieving	5
20-250 Relieving	6
20-250 Non-Relieving	7

Elements	
0.3 Micron	9
0.01 Micron	8

Pipe Size	
1/4"	2
3/8"	3
1/2"	4

OPTIONS

Anodizing	
Green	Blank
Blue	A1
Black	A2
Clear	A3
Red	A5
Yellow	A6
Gold	A7
Purple	A8
Drain	
Manual	Blank
Impulse (External)	D
Float (External)	F
Seals	
Buna-N	Blank
Fluorocarbon	V
Tamperproof	
Tamperproof	T
Preset	P
Preset and Tamperproof	PT
Attachment Parts	
Bracket	B
Gauge	G
Knob	K

FILTER REGULATORS: B05-1000 Series



Features

- Convenient push to lock knob design
- Acetal bonnet and knob
- Mounting nut comes standard
- Diaphragm design for minimal hysteresis and greater responsiveness
- Black anodizing standard (other colors available)
- Machined aluminum body
- Manual, float or impulse drains available
- Aluminum or polycarbonate bowls available
- Can be ordered with gauge

Operating Specifications

Bowl Capacity: 8 oz. **Gauge Ports:** 1/4" NPT
Maximum Inlet Pressure: 250 PSIG
Temperature Rating:
 Polycarbonate Bowls: 0-120°F
 Metal Bowls: 0-175°F **Weight:** 2 lbs.

Accessories & Kits

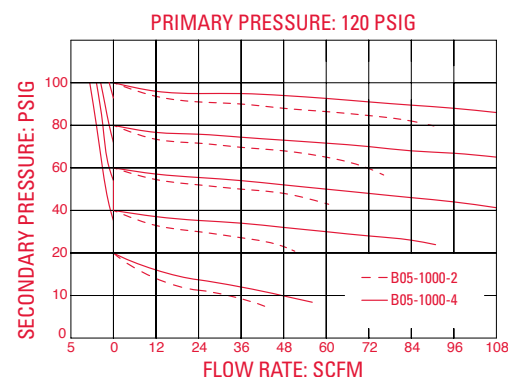
Mounting Bracket: 11430
REGULATOR KITS: 0-50 PSI 0-150 PSI
Relieving: 11472 11470
Non-Relieving: 11473 11471
Bowl Kits: - Polycarbonate Bowl Kit: 21567
 - Polycarbonate Bowl Kit w/ Float Drain: 21572
 - Metal Bowl Kit w/ Float Drain: 21582
Metal Bowl Kit: 21580
Metal Bowl with Sight Level Kit (Polycarbonate/Trogamid): 21581-P or 21581-T
Metal Bowl with Float Drain and Sight Level Kit (Polycarbonate/Trogamid): 21583-P or 21583-T

Elements:
 20 Micron: 21205
 10 Micron: 21036
 3 Micron: 21037

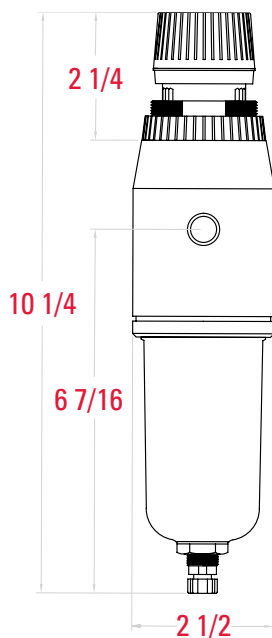
Materials of Construction

Body: Machined Aluminum
Bonnet: Glass Filled Acetal
Knob, Adjuster & Mounting Nut: Acetal
Diaphragm Gasket: Acetal
Springs: Music Wire
Spring Guide: Machined Aluminum
Seat: Brass **Poppet Assembly:** Brass
Seals: Buna-N (Fluorocarbon available)
Whirl Disc: Aluminum
Element: Phenolic Impregnated Acrylic Fiber
Stud: Zinc Plated Steel
Drain: Manual: Plastic
 Float: Acetal and Stainless Steel
 Impulse: Machined Aluminum, Brass, and Buna-N (Fluorocarbon Available)
Bowl: Polycarbonate or Aluminum
Bowl Guard: Stainless Steel

Flow Characteristics



Dimensions



Ordering Information

B05-1000-2

Bowl Type	
Polycarbonate	0
Polycarbonate w/ Guard	1
Metal	2
Metal w/ Sight Level	3

Pressure Range	
0-150 Relieving	0
0-150 Non-Relieving	1
0-50 Relieving	2
0-50 Non-Relieving	3

Elements	
20 Micron	0
10 Micron	1
3 Micron	2

Pipe Size	
1/4	2
3/8	3
1/2	4

OPTIONS

Anodizing		
Black		Blank
Blue		A1
Clear		A3
Green		A4
Red		A5
Yellow		A6
Gold		A7
Purple		A8
Preset		P
Attachment Parts		
Gauge		G
Bracket		B
Seals		
Buna-N (Standard)		Blank
Fluorocarbon		V
Drain		
Manual		Blank
Float (Internal)		F
Impulse (External)		D

FILTER REGULATORS: C05-1000 Series



Features

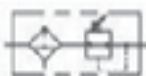
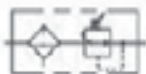
- Threaded bowl for ease of maintenance
- Polycarbonate or aluminum bowls available
- Filter and regulator consolidated into one assembly
- Reduces footprint of air prep assembly
- Manual, float or impulse drains available
- Preset and tamperproof options

Operating Specifications

- Bowl Capacity:** 8 oz.
- Maximum Pressure Ratings:**
- Metal Bowl: 250 PSI
 - Polycarbonate Bowl: 150 PSI
- Temperature Ratings:**
- Metal Bowl: 0-200°F
 - Polycarbonate Bowl: 0-120°F

Accessories & Kits

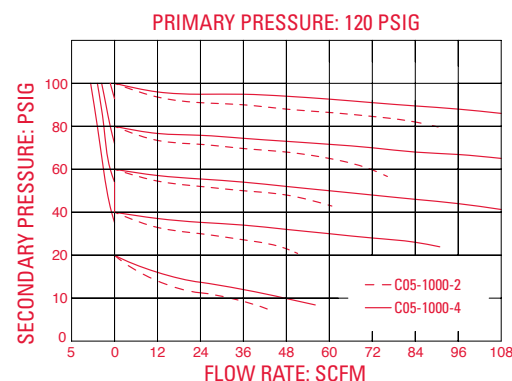
- Elements:** 20 Micron: 21205 - 10 Micron: 21036
- 3 Micron: 21037
- REGULATOR KITS:**
- | | | |
|-----------------------|-------|------------|
| | | 20-250 PSI |
| Relieving: | 11531 | 11538 |
| Non-Relieving: | 11532 | 11539 |
- Bowl Kits:** - Polycarbonate Bowl Kit: 21557
- Polycarbonate Bowl Kit w/ Float Drain: 21572
- Metal Bowl Kit w/ Float Drain: 21583
- Metal Bowl Kit:** 21580
- Metal Bowl with Sight Level Kit (Polycarbonate/ Trogamid):** 21581-P or 21581-T
- Metal Bowl with Float Drain and Sight Level Kit (Polycarbonate/ Trogamid):** 21583-P or 21583-T



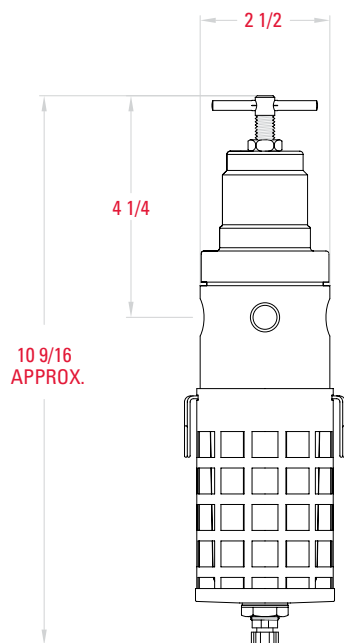
Materials of Construction

- Body:** Machined Aluminum
- Bonnet:** Machined Aluminum or Polycarbonate
- Spring Guide:** Zinc Plated Steel
- Diaphragm Gasket:** Stainless Steel
- Valve Seat:** Brass
- Poppet Valve Spring:** Stainless Steel
- Seals:** Buna-N (Fluorocarbon available)
- Whirl Disc:** Aluminum
- Element (20, 10, 3 Micron):** Phenolic Impregnated Acrylic Fibers
- Stud:** Zinc Plated Steel
- Drain:** Manual: Plastic
Float: Acetal and Stainless Steel
Impulse: Machined Aluminum, Brass, and Buna-N (Fluorocarbon Available)
- Bowl:** Polycarbonate or Aluminum
- Bowl Guard:** Stainless Steel

Flow Characteristics



Dimensions



Ordering Information

C05-1000-2

Bowl Type	
Polycarbonate	0
Polycarbonate w/ Guard	1
Metal	2
Metal w/ Sight Level	3

Pressure	
10-130 Relieving	0
10-130 Non-Relieving	1
5-60 Relieving	2
5-60 Non-Relieving	3
3-30 Relieving	4
3-30 Non-Relieving	5
20-250 Relieving	6
20-250 Non-Relieving	7

Elements	
20 Micron	0
10 Micron	1
3 Micron	2

Pipe Size	
1/4	2
3/8	3
1/2	4

OPTIONS

Anodizing	
Blue	A1
Black	A2
Clear	A3
Green	A4
Red	A5
Yellow	A6
Gold	A7
Purple	A8
Attachment Parts	
Gauge	G
Bracket	B
Knob	K
Seals	
Buna-N (Standard)	Blank
Fluorocarbon	V
Drain	
Manual	Blank
Float (Internal)	F
Impulse (External)	D
Tamperproof	
Tamperproof	T
Preset	P
Preset and Tamperproof	PT

FILTER REGULATORS: C05-1009 Series



Features

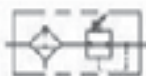
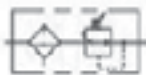
- Coalescing filter and regulator consolidated into one assembly
- Reduces footprint of air prep assembly
- Polycarbonate or aluminum bowls available
- Manual, float or impulse drains available
- Preset and tamperproof options
- Gauges available
- 0.3 and 0.01 Micron elements available
- Green anodized body standard, other colors available

Operating Specifications

- Bowl Capacity:** 8 oz.
Maximum Pressure Ratings:
 - Metal Bowl: 250 PSI
 - Polycarbonate Bowl: 150 PSI
Temperature Ratings:
 - Metal Bowl: 0-200°F
 - Polycarbonate Bowl: 0-120°F

Accessories & Kits

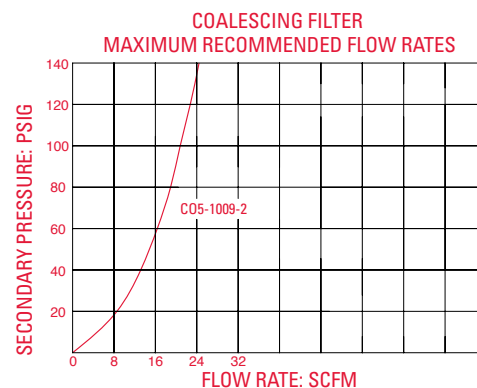
- Elements:** 0.3 Micron: 21720 - 0.01 Micron: 21762
REGULATOR KITS: 20-250 PSI
Relieving: 11531 11538
Non-Relieving: 11532 11539
Bowl Kits: - Polycarbonate Bowl Kit: 21557
 - Polycarbonate Bowl Kit w/ Float Drain: 21572
 - Metal Bowl Kit w/ Float Drain: 21583
Metal Bowl Kit: 21580
Metal Bowl with Sight Level Kit (Polycarbonate/ Trogamid): 21581-P or 21581-T
Metal Bowl with Float Drain and Sight Level Kit (Polycarbonate/ Trogamid): 21583-P or 21583-T



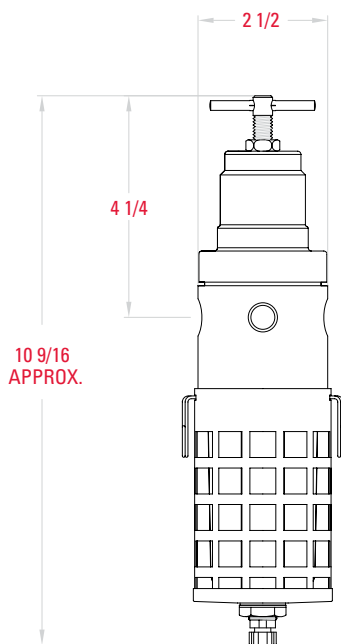
Materials of Construction

- Body:** Machined Aluminum
Bonnet: Machined Aluminum or Polycarbonate
Spring Guide: Zinc Plated Steel
Diaphragm Gasket: Stainless Steel
Valve Seat: Brass
Poppet Valve Spring: Stainless Steel
Seals: Buna-N (Fluorocarbon available)
Whirl Disc: Aluminum
Stud: Zinc Plated Steel
Drain:
 Manual: Plastic
 Float: Acetal and Stainless Steel
 Impulse: Machined Aluminum, Brass, and Buna-N (Fluorocarbon Available)
Bowl: Polycarbonate or Aluminum
Bowl Guard: Stainless Steel

Flow Characteristics



Dimensions



Ordering Information

C05-1009-2

Bowl Type	
Polycarbonate	0
Polycarbonate w/ Guard	1
Metal	2
Metal w/ Sight Level	3

Pressure	
10-130 Relieving	0
10-130 Non-Relieving	1
5-60 Relieving	2
5-60 Non-Relieving	3
3-30 Relieving	4
3-30 Non-Relieving	5
20-250 Relieving	6
20-250 Non-Relieving	7

Elements	
0.3 Micron	9
0.01 Micron	8

Pipe Size	
1/4	2
3/8	3
1/2	4

OPTIONS	
Anodizing	
Green	Blank
Blue	A1
Black	A2
Clear	A3
Red	A5
Yellow	A6
Gold	A7
Purple	A8
Attachment Parts	
Gauge	G
Bracket	B
Knob	K
Seals	
Buna-N (Standard)	Blank
Fluorocarbon	V
Drain	
Manual	Blank
Float (Internal)	F
Impulse (External)	D
Tamperproof	
Tamperproof	T
Preset	P
Preset and Tamperproof	PT